



## DIAPHRAGM SEAL

### SERIES 6000

#### FEATURES:

The Series 6000 from Blue Ribbon Corporation is a lightweight, all-stainless steel, welded one-piece diaphragm seal or isolation device, used to provide economical protection of pressure sensing instrumentation from measured media. The Series is designed for small instrumentation ranging from vacuum to 2500 PSI. It also provides protection for gauges and measuring instruments in dial sizes ranging from 1 1/2" to 3 1/2", as well as in space-limited applications.



Series 6000

#### TECHNICAL SPECIFICATIONS:

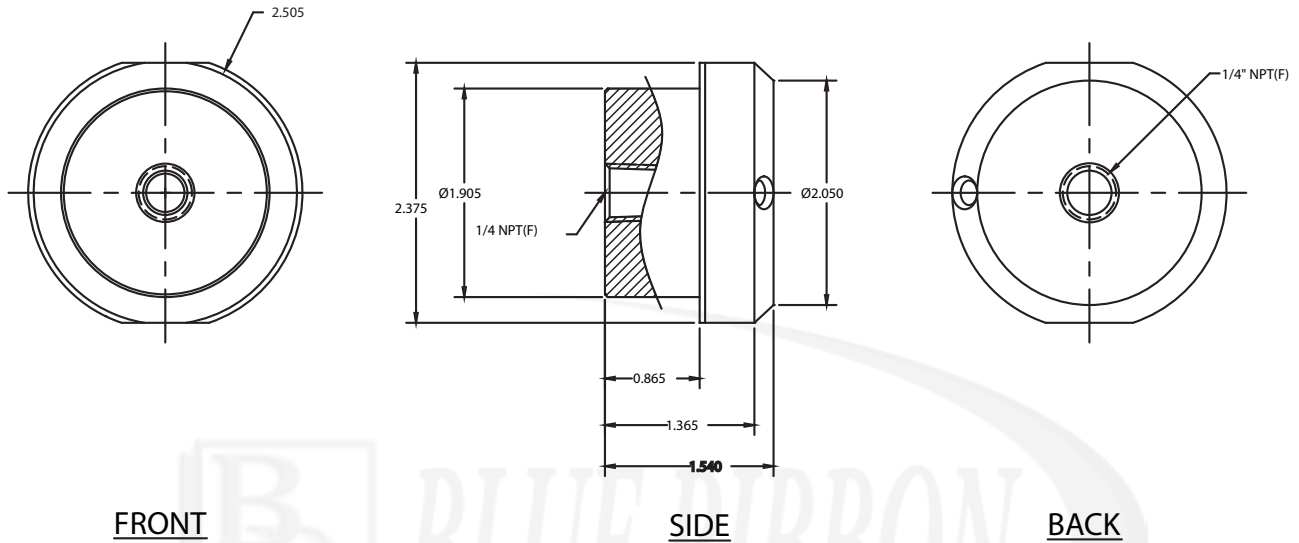
- **Housing:** 316 Stainless Steel
- **Diaphragm:** 316 Stainless Steel
- **Operating Pressure:** Vacuum to 2500 PSI
- **Instrument:** 1/4" NPTF
- **Process Connections:** 1/4" NPTF, 1/4" NPTM, 1/2" NPTF
- **Process Temperature:** -46 °F to +302 °F

Part #	Description
BR-D-6000	1/4" NPT x 1/4" NPT
BR-D-6001	1/4" NPTF x 1/2" NPTM
BR-D-6002	1/2" NPTF 1/2" NPTF

# DIAPHRAGM SEAL

## DIMENSIONAL DRAWING

All dimensions are in inches (mm)



FRONT

SIDE

BACK

BR-D-6000  
316SS  
6000 SERIES

All specifications are for reference purposes only. In the interests of continuous product improvement, all specifications are subject to change without notice. Please contact Blue Ribbon Corporation for assistance with your application.

