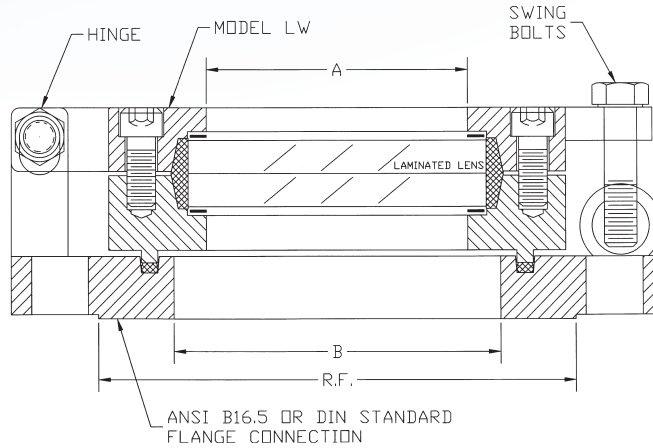
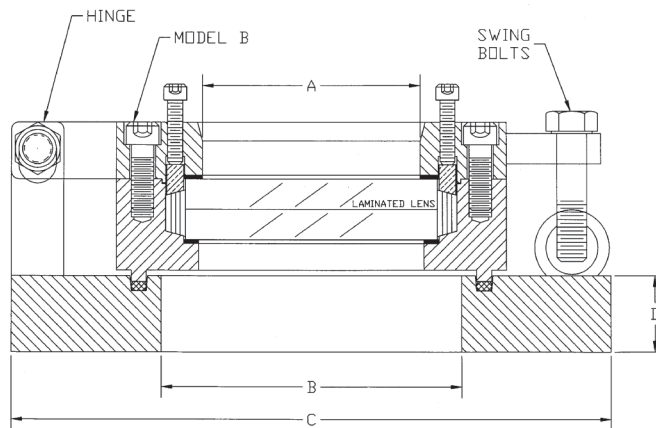


Hinged Closure Sight Glass

Engineering Information:



Flange	Model B A	Model LW A	B	R.F.	Model LW Rating PSI	Model B Rating PSI
4	2 5/8	3	4	6 3/16	100	150
6	3 5/8	4	6	8 1/2	100	150
8	5 1/2	6	8	10 5/8	100	150



Size	Model B A	Model LW A	B	C	D	Model LW Rating PSI	Model B Rating PSI
2	1 3/4	2	3	7 1/2	1 1/4	100	150
3	2 5/8	3	4	8 3/4	1 1/4	100	150
4	3 5/8	4	5	10	1 1/4	100	150
6	5 1/2	6	7	12	1 1/2	100	150
8	7 3/8	8	9	15	1 1/2	100	150