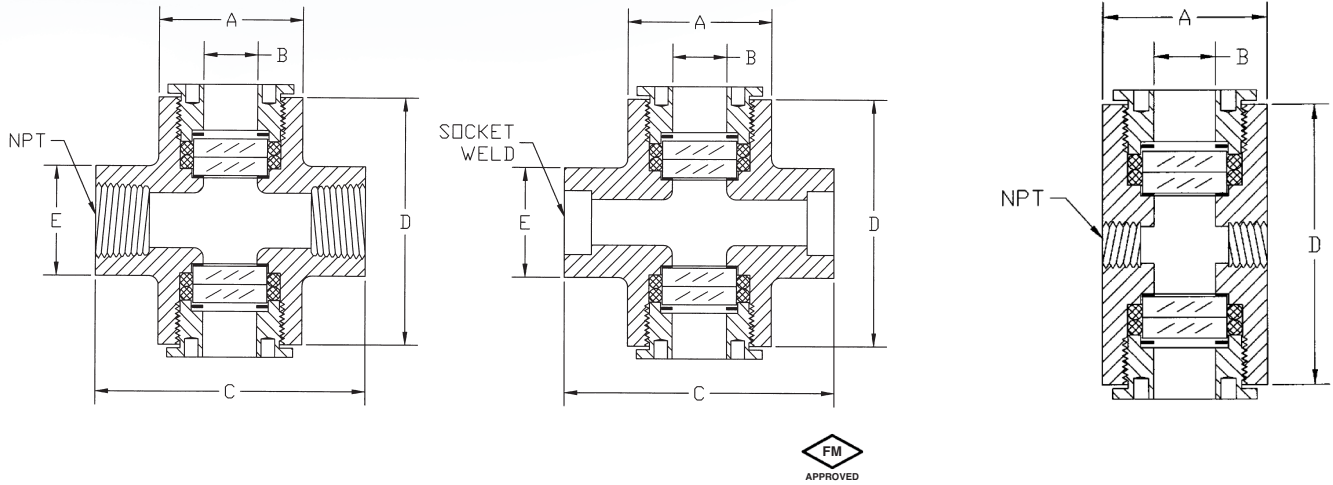


Bull's-Eye See-Through

Engineering Information:



All dimensions in inches.

NPT	A	B	C	D	E
1/2	2	3/4	3 3/4	3 3/8	1 1/2
3/4	2	3/4	3 3/4	3 1/2	1 1/2
1	3	1 1/2	5 1/2	4	2 1/2
1 1/4	3	1 1/2	5 1/2	4 3/8	2 1/2
1 1/2	3	1 1/2	5 1/2	4 5/8	2 1/2

- Patent No. 4,807,474
- This unit can be furnished with other types of connections such as NPT plug, socket weld flange, weld, sanitary, or as specified.
- This unit is also available in 1/8" and 1/4" sizes.

