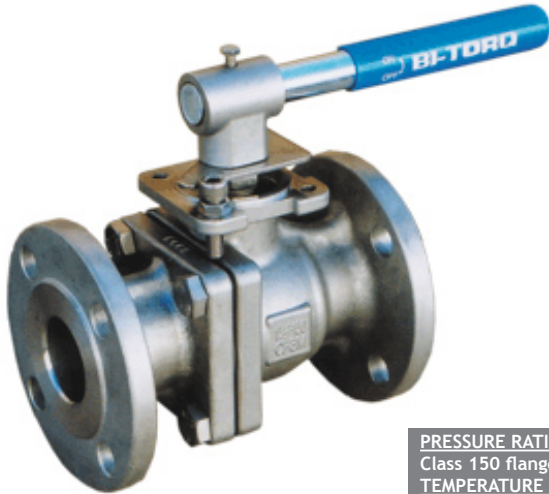




6" API 607 FIRE SAFE FLANGED BALL VALVE



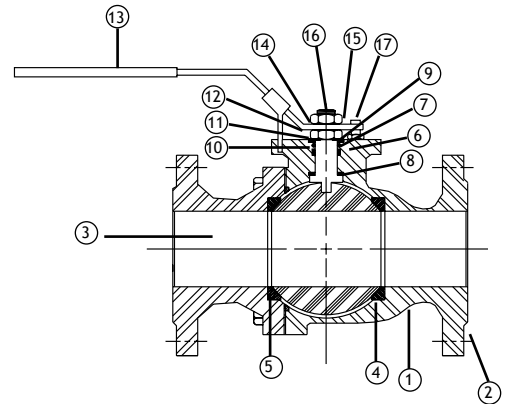
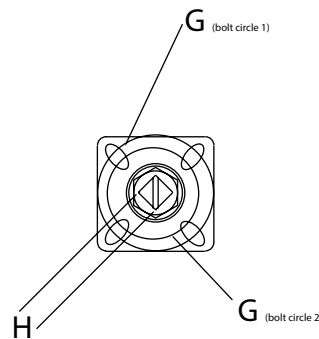
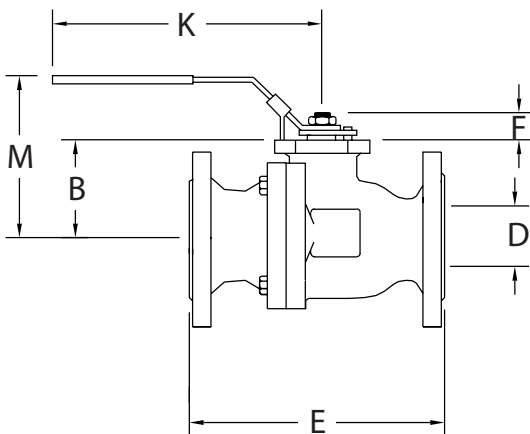
PRESSURE RATING
Class 150 flanged
TEMPERATURE RATING
+450 ° F Maximum CWP
+366 ° F Steam Maximum
(with RTFE seats)

VALVE FEATURES

- 6" full port stainless steel or carbon steel ball valve
- Class 150# flanged designed to ANSI B16.34
- API607 fire safe approved
- ISO mounting pad for easy automation
- Self-adjusting stem packing
- DIN 50049-3.1B certificate
- Gear-operators available

BILL OF MATERIALS

PART #	NAME	MATERIAL	OPTIONAL MATERIAL	QTY
1	BODY	ASTM A351 GR CF8M	CARBON STEEL	1
2	ENDS	ASTM A351 GR CF8M	CARBON STEEL	2
3	BALL	ASTM A351 GR CF8M	---	1
4	SEAT	PTFE	RTFE	2
5	BODY SEAL	SS304 SPIRAL WOUND	---	2
6	STEM SEAL	GRAPHOIL	---	1
7	STEM PACKING	GRAPHOIL	---	1
8	THRUST WASHER	50% PTFE + 50% SS POWDER	---	1
9	GLAND	304SS	---	1
10	BELLEVILLE WASHER	304SS	---	2
11	LOCK WASHER	304SS	---	1
12	STEM NUT	304SS	---	1
13	HANDLE	304SS	---	1



DIMENSIONAL DATA

SIZE	ISO 5211	B	D	E	F	G	H	K	M	TORQUE	CV	WEIGHT (LBS.)
6"	F10-F12	8.86	5.93	15.50	2.39	4.92/4.02	1.06	23.43	11.26	3200	4700	161