



# FAIL SAFE DEADMAN HANDLES

## SPRING RETURN "DEADMAN" HANDLES



Spring return "deadman" handles will help you meet OSHA requirements or plant specifications where a valve must return to the closed position after operation. Unlike a standard lever handle or gear operator which will remain in the last position, our assemblies ensure that the handle will always spring return to its original, pre-designated starting position.

Spring handles are available for most quarter-turn valve types through 830 inch pounds of spring return output torque. Our spring return handles are available for retrofitting in the field.

*FAIL SAFE HANDLES FOR  
BALL VALVES, BUTTERFLY VALVES  
AND PLUG VALVES*

*WE CAN MOUNT TO  
VIRTUALLY ANY VALVE TYPE, MAKE OR MODEL*

*ISO MOUNT ALLOWS FOR DIRECT MOUNTING TO  
ISO BALL AND BUTTERFLY VALVES*

### FEATURES

- ENSURES VALVE CANNOT BE LEFT IN THE WRONG POSITION
- RELIABLE LOW STRESS CLOCK STYLE SPRINGS
- WEATHERPROOF SEALED SPRING HOUSING
- CLOCKWISE OR COUNTERCLOCKWISE ROTATION MODELS AVAILABLE
- TOUGH CORROSION RESISTANT EPOXY PAINT
- HEAVY DUTY CUSTOMIZED MOUNTING KIT (STAINLESS OR CARBON STEEL)
- AVAILABLE IN FACTORY ADJUSTED TORQUES FROM 97 TO 342 IN LBS SPRING END
- CUSTOMIZED HANDLES UP TO AN INDUSTRY LEADING 830 IN LBS SPRING END TORQUE

### HANDLE SPECIFICATIONS

**SPRING CASE:**  
DIE CAST ZINC ALLOY WITH EPOXY FINISH

**COVER SHIELD:**  
NYLON

**SHAFT:**  
STAINLESS STEEL

**LEVER:**  
STAINLESS STEEL FOR STANDARD HANDLES  
CARBON STEEL FOR CUSTOMIZED HANDLES\*

\* STAINLESS STEEL OPTION AVAILABLE



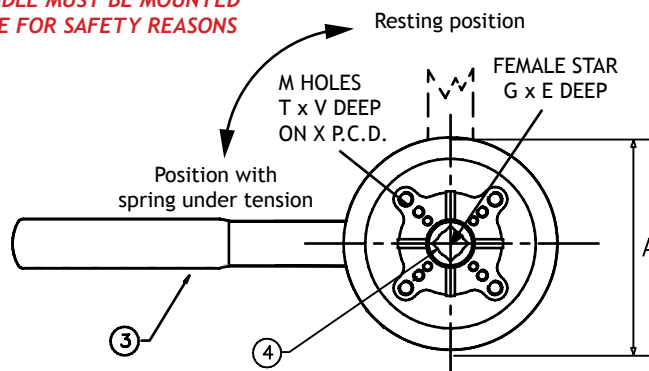
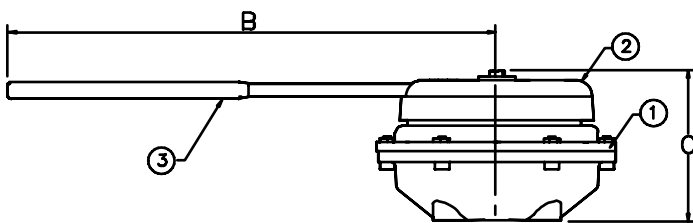


## SPRING RETURN "DEADMAN" HANDLES

### STANDARD FEMALE OUTPUT MODELS

**ISO PAD FOR DIRECT MOUNT**  
037 model: F03/F05; 11mm drive  
057 model: F03/F05/F07; 14mm drive  
077 model: F05/F07; 17mm drive

**UNTENSIONED HANDLE MUST BE MOUNTED  
OVER THE PIPELINE FOR SAFETY REASONS**

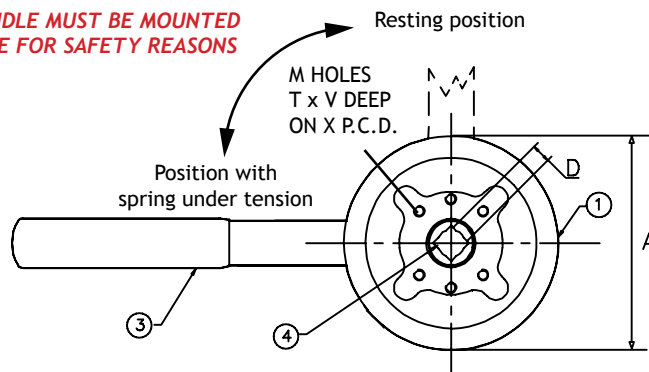
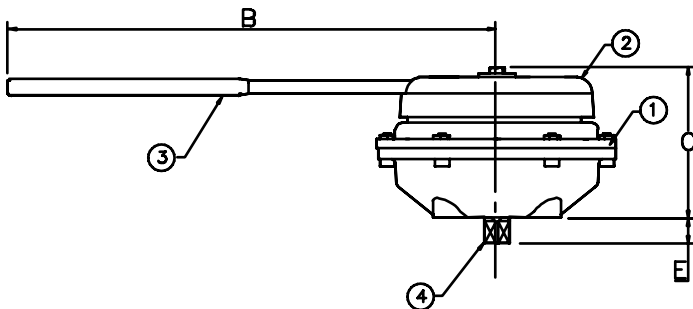


| MODEL NUMBER  | A    | B     | C    | E    | G    | M | T          | V              | X              |
|---------------|------|-------|------|------|------|---|------------|----------------|----------------|
| 037-F020-1006 | 4.25 | 9.37  | 2.44 | 0.47 | 0.43 | 4 | 10 X 24    | 0.31/0.39      | 1.42/1.97      |
| 057-F020-1006 | 4.64 | 9.37  | 2.44 | 0.63 | 0.55 | 4 | 10 X 24    | 0.39/0.47/0.51 | 1.42/1.97/2.76 |
| 077-F020-1006 | 5.98 | 14.17 | 4.06 | 0.75 | 0.66 | 4 | 5/16" X 18 | .039/.051      | 1.97/2.76      |

Dimensions are in inches

### STANDARD MALE OUTPUT MODELS

**UNTENSIONED HANDLE MUST BE MOUNTED  
OVER THE PIPELINE FOR SAFETY REASONS**



| MODEL NUMBER | A    | B     | C    | D    | E    | M | T         | V    | X    |
|--------------|------|-------|------|------|------|---|-----------|------|------|
| 037-020-1006 | 4.25 | 9.37  | 2.44 | 0.35 | 0.47 | 4 | 10 X 24   | 0.39 | 1.22 |
| 057-020-1006 | 4.64 | 9.37  | 2.44 | 0.37 | 0.51 | 6 | 10 X 24   | 0.31 | 1.37 |
| 077-020-1006 | 5.98 | 14.17 | 4.06 | 0.63 | 0.79 | 4 | 5/16 X 18 | 0.62 | 2.00 |

Dimensions are in inches

| MODEL NUMBER    | SPRING START TORQUE (IN/LBS) | SPRING END TORQUE (IN/LBS) | HANDLE SIZE (INCHES) |
|-----------------|------------------------------|----------------------------|----------------------|
| 037-(F)020-1006 | 124                          | 97                         | 9.35                 |
| 057-(F)020-1006 | 212                          | 180                        | 9.35                 |
| 077-(F)020-1006 | 400                          | 342                        | 15.00                |
| 077-030-DEADMAN | 450                          | 375                        | 15.00                |
| 087-030-DEADMAN | 625                          | 530                        | 20.00                |
| 097-030-DEADMAN | 925                          | 830                        | 28.00                |

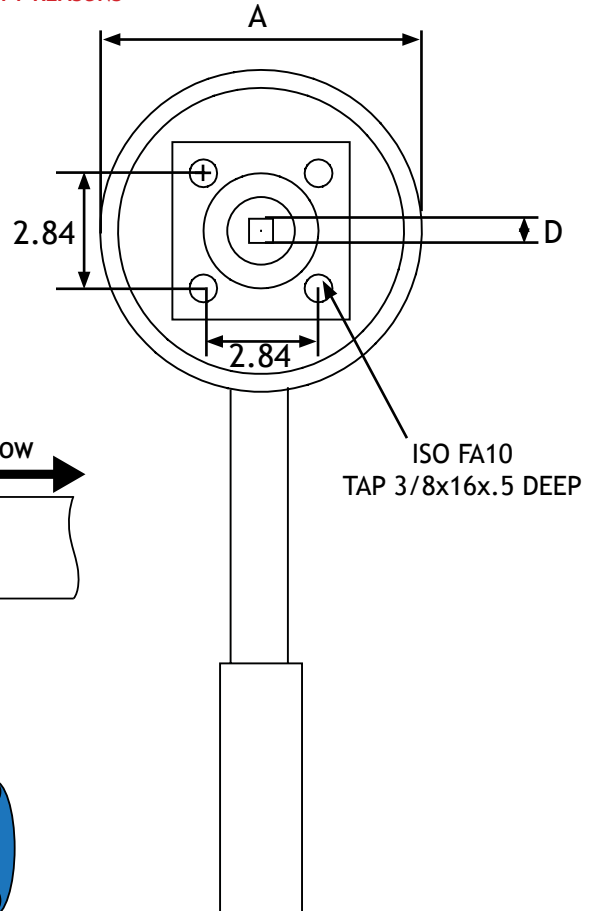
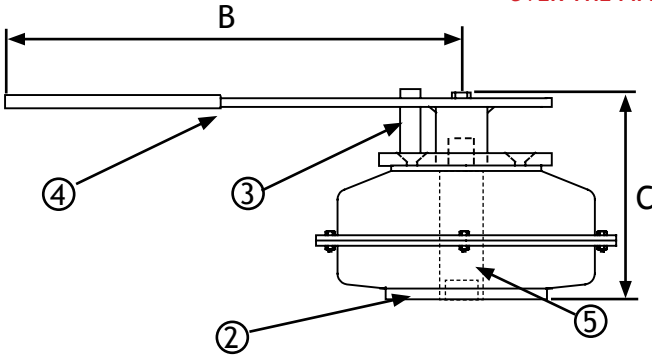
NOTE: "F" in the part number indicates ISO standard mounting and output shaft; all other standard models are male shaft.



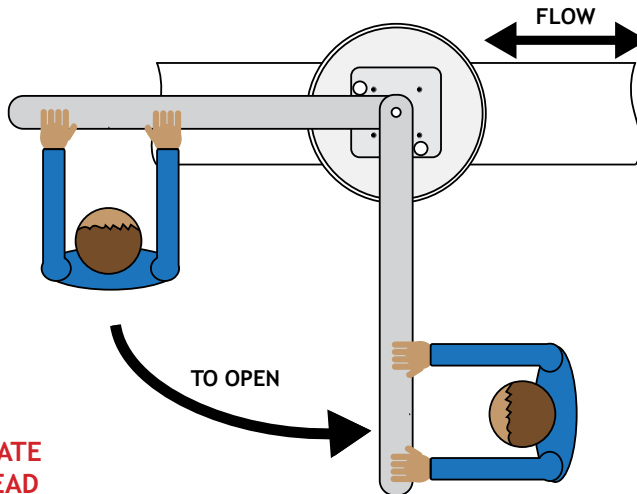
## SPRING RETURN "DEADMAN" HANDLES

### CUSTOMIZED "DEADMAN" MODELS

*UNTENSIONED HANDLE MUST BE MOUNTED OVER THE PIPELINE FOR SAFETY REASONS*



### SAFE OPERATION



**FAILURE TO OPERATE PROPERLY CAN LEAD TO BODILY HARM OR EVEN DEATH**

**EASE BACK UNDER CONTROL TO CLOSE**

| MODEL NUMBER    | A    | B     | C    | D    |
|-----------------|------|-------|------|------|
| 077-030-DEADMAN | 6.00 | 13.88 | 4.86 | 0.63 |
| 087-030-DEADMAN | 6.85 | 18.50 | 5.06 | 0.67 |
| 097-030-DEADMAN | 7.90 | 28.00 | 5.50 | 0.75 |

Dimensions are in inches

| MODEL NUMBER    | SPRING START TORQUE (IN/LBS) | SPRING END TORQUE (IN/LBS) | HANDLE SIZE (INCHES) |
|-----------------|------------------------------|----------------------------|----------------------|
| 037-(F)020-1006 | 124                          | 97                         | 9.35                 |
| 057-(F)020-1006 | 212                          | 180                        | 9.35                 |
| 077-(F)020-1006 | 400                          | 342                        | 15.00                |
| 077-030-DEADMAN | 450                          | 375                        | 15.00                |
| 087-030-DEADMAN | 625                          | 530                        | 20.00                |
| 097-030-DEADMAN | 925                          | 830                        | 28.00                |

NOTE: "F" in the part number indicates ISO standard mounting and output shaft; all other standard models are male shaft.