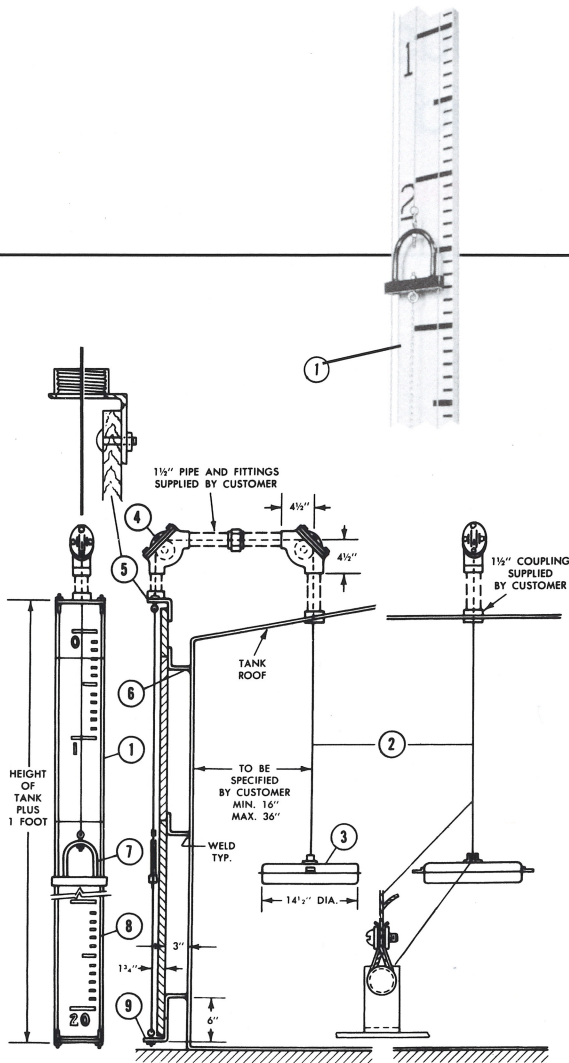


Liquid Level Indicators

PROTECTOSEAL SERIES No. 40000

TARGET INDICATOR WITH UNGUIDED FLOAT



CAT. NO. 40000 AND 40000A
CONE OR FLAT ROOF TANK (UNGUIDED FLOAT)

Protectoseal Series No. 40000 Liquid Level Indicators are used for accurate liquid level gaging of fixed or floating roof tanks storing oil, water, solvents and other products. The units are designed and constructed to permit simple, easy installation on "tanks-in-service" or "tanks-out-of-service", and to provide a maximum of trouble-free service. This particular type Indicator is especially recommended for applications requiring a low cost, low maintenance method for liquid level gaging.

The Indicators are float-actuated, and have a steel target that runs vertically up and down a calibrated board to register the tank contents. The board is mounted outside of the tank and has bold, legible markings to permit quick, convenient readings.

Features of Construction

The sturdy design and stainless steel construction of the float is resistant to the corrosive effects of petroleum products and assures a long, dependable use. The float cable used to secure the float to the Target Indicator is also stainless steel.

Indicator target guide wires are galvanized steel, and furnished together with all of the other items listed above as standard equipment.

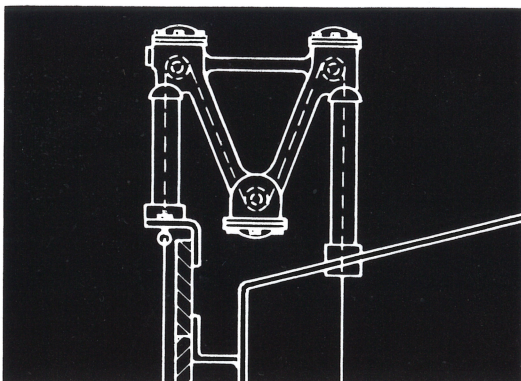
A gageboard is supplied only when specified. The Protectoseal gageboard is constructed of aluminum and has bold, legible markings in inches and feet with easy-to-read numerals every foot. Stainless steel gageboards are also available on special order. When Protectoseal gageboards are specified, all brackets and fittings, necessary for mounting and installation are included with instructions for installing.

Limit switches are available upon request.

Liquid Seal

Where it is necessary to store solvents under slight pressures, a liquid seal can be installed as shown in the Figure below. Using a liquid seal will also retain the flammable or toxic vapors within the tank and prevent excess vapor loss.

Standard liquid seals are made of aluminum with 18/8 sheaves and TFE bearings and are designed for 8 1/2" W.C. pressure or vacuum.



ITEM	PART NO.	DESCRIPTION	MATERIAL	REQ.
1	41000-320	Board	Aluminum	*
2	41000-190	Cable, Float	Stainless Steel, Type 316	*
3	41000-225	Float Assembly	Stainless Steel, Type 316	1
4	42000-275	Sheave Assembly	Aluminum Housing, 18/8 Wheel, TFE Bearing	2
5	41000-155	Top Board Connector	Steel	1
6	41000-135	Board Bracket	Steel	*
7	41000-185	Indicator Assembly	Steel	1
8	41000-120	Guide Wire, Indicator	Steel Galvanized	*
9	41000-145	Bottom Bracket Assembly	Steel	1

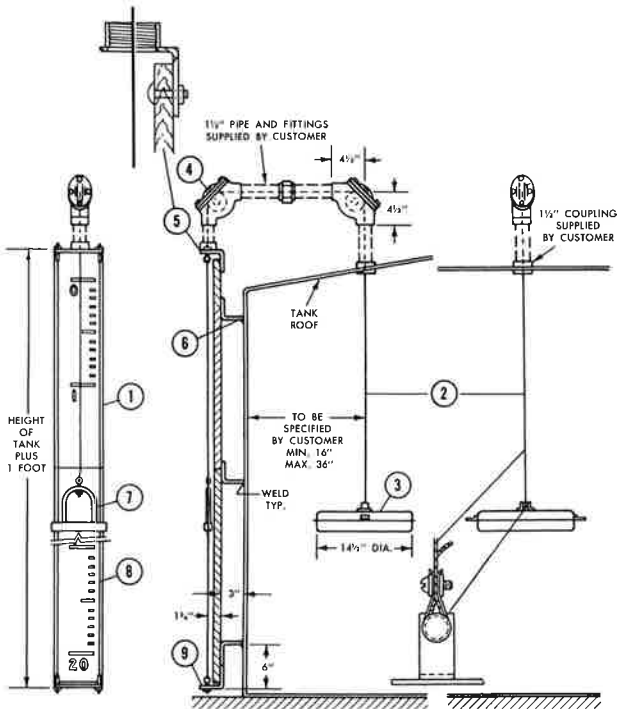
*Depends upon tank height.

40000 includes items 1-9

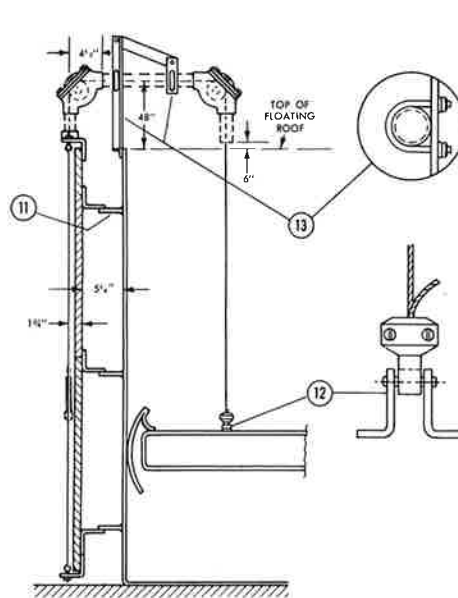
40000A includes items 2, 3, 4, 5, 7, 8 and 9

Various Applications of Liquid Level Indicators

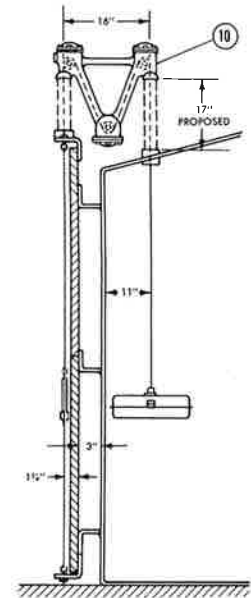
PROTECTOSEAL SERIES No. 40000



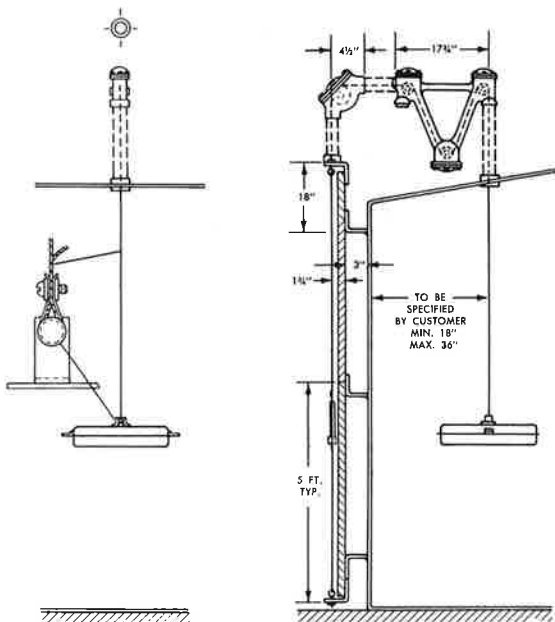
CAT. NO. 40000 AND 40000A
CONE OR FLAT ROOF TANK (UNGUIDED FLOAT)



CAT. NO. 40100
FLOATING ROOF TANK
(WITHOUT FLOAT WELL)



CAT. NO. 40200 AND 40200A
CONE OR FLAT ROOF TANK
WITH LIQUID SEAL
(UNGUIDED FLOAT)



CAT. NO. 40500 AND 40500A
CONE OR FLAT ROOF TANK
WITH LIQUID SEAL
(UNGUIDED FLOAT)

ITEM	PART NO.	DESCRIPTION	MATERIAL	REQUIRED			
				40000	40100	40200	40500
1	41000-320	Board	Aluminum	*	*	*	*
2	41000-190	Cable, Float	Stainless Steel, Type 316	*	*	*	*
3	41000-225	Float Assembly	Stainless Steel, Type 316	1	—	1	1
4	42000-275	Sheave Assembly	Aluminum Housing, 18/8 Wheel, TFE Bearing	2	2	—	1
5	41000-155	Top Board Connector	Steel	1	1	1	1
6	41000-135	Board Bracket	Steel	*	*	*	*
7	41000-185	Indicator Assembly	Steel	1	1	1	1
8	41000-120	Guide Wire, Indicator	Steel Galvanized	*	*	*	*
9	41000-145	Bottom Bracket Assembly	Steel	1	1	1	1
10	41200-175	Liquid Seal Assembly	Aluminum Housing, 18/8 Wheel, TFE Bearings	—	—	1	1
11	43000-165	Tank Bracket	Steel	—	*	—	—
12	41000-230	Cable Attachment	Stainless Steel, Type 316	—	1	—	—
13	43000-150	Pipe Bracket	Steel	—	1	—	—

*Depends upon tank height.
40000 includes items 1-9
40000A includes items 2, 3, 4, 5, 7, 8, and 9

The Protectoseal Company

Liquid Level Indicators

PROTECTOSEAL SERIES No. 41000

TARGET INDICATOR WITH GUIDED FLOAT

Protectoseal Series No. 41000 Liquid Level Indicators are used for accurate liquid level gaging of fixed roof tanks storing oil, water, solvents and other products. The units are designed for simple, easy installation for "tanks-in-service" or "tanks-out-of-service" and to provide a maximum of trouble-free service. The Indicators are especially recommended for applications requiring a low cost, low maintenance method for liquid level gaging and where operations necessitate accuracy to ± 1 inch.

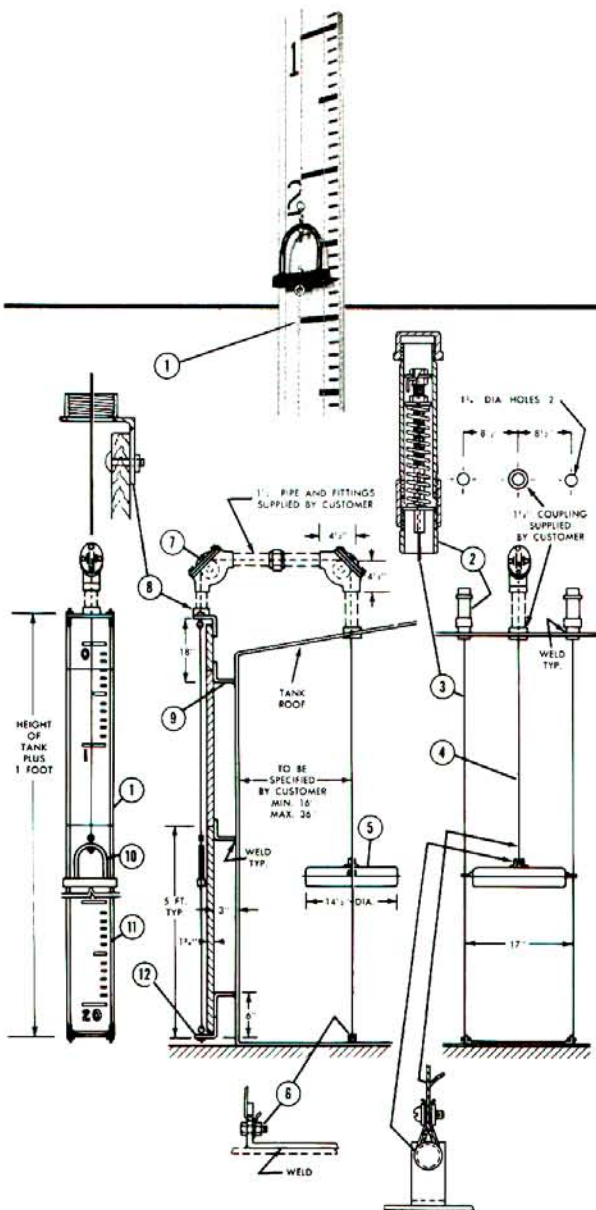
The Indicators are float-operated with a steel target that runs vertically up and down, registering tank contents on a calibrated board that is mounted outside of the tank for quick, convenient readings.

Features of Construction

The sturdy design and stainless steel construction of the float is resistant to the corrosive effects of petroleum products and assures a long dependable use. In addition to the float assembly, the float cable, and guide wires are all stainless steel. Indicator target guide wires are galvanized steel. The target assembly is constructed of steel and furnished together with all of the other items listed above as standard equipment.

A gageboard is supplied only when specified. The Protectoseal gageboard is constructed of aluminum and has bold, legible markings in inches and feet with easy-to-read numerals every foot. Stainless steel gageboards are also available on special order. When Protectoseal gageboards are specified, all brackets and fittings, necessary for mounting and installation are included with instructions for installing.

Limit switches are available upon request.

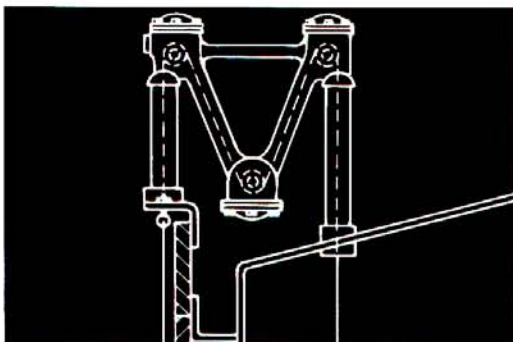


CAT. NO. 41000 AND 41000A
CONE OR FLAT ROOF TANK

Liquid Seal

Where it is necessary to store solvents under slight pressures, a liquid seal can be installed as shown in the Figure below. Using a liquid seal will also retain the flammable or toxic vapors within the tank and prevent excess vapor loss.

Standard liquid seals are made of aluminum with 18/8 sheaves and Teflon bearings and are designed for 8½" W.C. pressure or vacuum.



ITEM	PART NO.	DESCRIPTION	MATERIAL	REQ.
1	41000-320	Board	Aluminum	*
2	41000-100	Top Anchor Assembly	Steel	2
3	41000-125	Guide Wire, Float	Stainless Steel, Type 316	*
4	41000-190	Cable, Float	Stainless Steel, Type 316	*
5	41000-225	Float Assembly	Stainless Steel, Type 316	1
6	41000-120	Bottom Anchor Assembly	Steel	1
7	42000-275	Sheave Assembly	Aluminum Housing, 18/8 Wheel, Teflon Bearing	2
8	41000-155	Top Board Connector	Steel	1
9	41000-135	Board Bracket	Steel	*
10	41000-185	Indicator Assembly	Steel	1
11	41000-120	Guide Wire, Indicator	Steel Galvanized	*
12	41000-145	Bottom Bracket Assembly	Steel	1

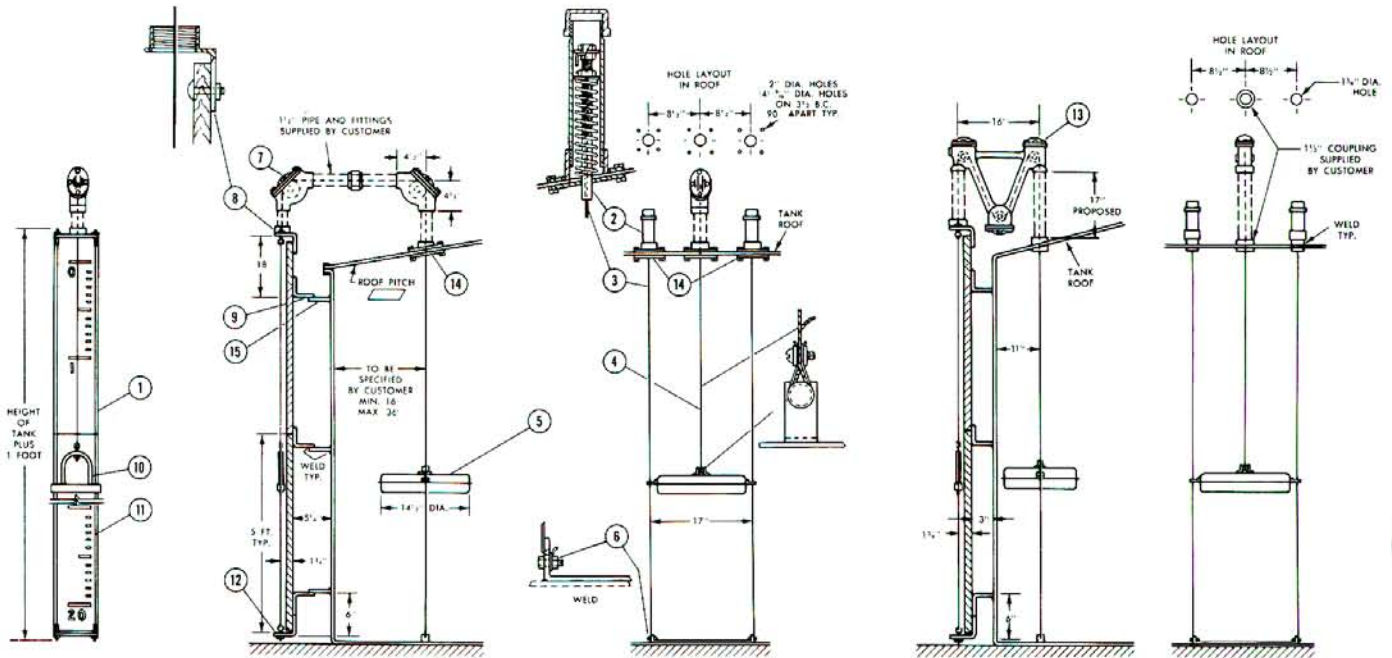
*Depends upon tank height

41000 includes items 1-12

41000A includes items 2, 3, 4, 5, 6, 7, 8, 10, 11, 12 and 13

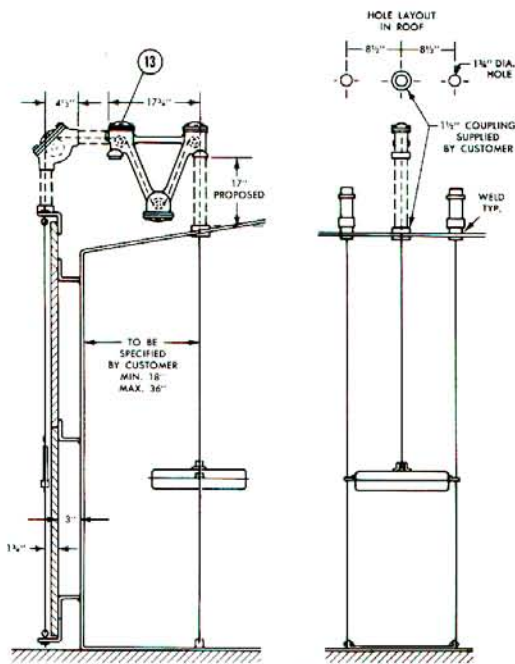
Various Applications of Liquid Level Indicators

PROTECTOSEAL SERIES No. 41000



**CAT. NO. 41050 AND 41050A
A.P.I. STD. BOLTED TANKS**

**CAT. NO. 41200 AND 41200A
CONE OR FLAT ROOF TANK WITH LIQUID SEAL**



**CAT. NO. 41500 AND 41500A
CONE OR FLAT ROOF TANK WITH LIQUID SEAL**

ITEM	PART NO.	DESCRIPTION	MATERIAL	REQUIRED		
				41050	41200	41500
1	41000-320	Board	Aluminum	*	*	*
2	41000-100	Top Anchor Assembly	Steel	2	2	2
3	41000-125	Guide Wire, Float	Stainless Steel, Type 316	*	*	*
4	41000-190	Cable, Float	Stainless Steel, Type 316	*	*	*
5	41000-225	Float Assembly	Stainless Steel, Type 316	1	1	1
6	41000-130	Bottom Anchor Assembly	Steel	1	1	1
7	42000-275	Sheave Assembly	Aluminum Housing, 18/8 Wheel, Teflon Bearing	2	—	1
8	41000-155	Top Board Connector	Steel	1	1	1
9	41000-135	Board Bracket	Steel	*	*	*
10	41000-185	Indicator Assembly	Steel	1	1	1
11	41000-120	Guide Wire, Indicator	Steel Galvanized	*	*	*
12	41000-145	Bottom Bracket Assembly	Steel	1	1	1
13	41200-175	Liquid Seal Assembly	Aluminum Housing, 18/8 Wheel, Teflon Bearings	—	1	1
14	41000-200	Roof Flange Assembly	Steel	1	—	—
15	43000-165	Tank Bracket	Steel	*	—	—

*Depends upon tank height

41000 includes items 1-12

41000A includes items 2, 3, 4, 5, 6, 7, 8, 10, 11, 12 and 13