



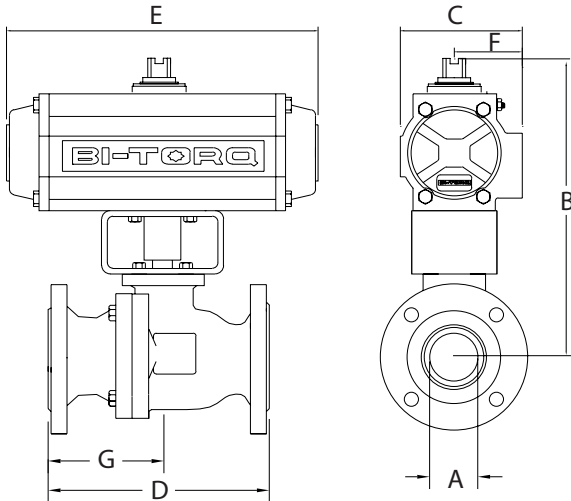
6" API 607 FIRE SAFE FLANGED BALL VALVE



- Full Port Stainless Steel Ball Valves
6" ANSI 150# Flanged
- ISO Mounting Pad
- Electric and Pneumatic Actuators
- Belleville Washers and Adjustable Stem Packing for High Cycle Automation Applications
- API607 Fire Safe Rated



PNEUMATIC ACTUATORS



DOUBLE ACTING

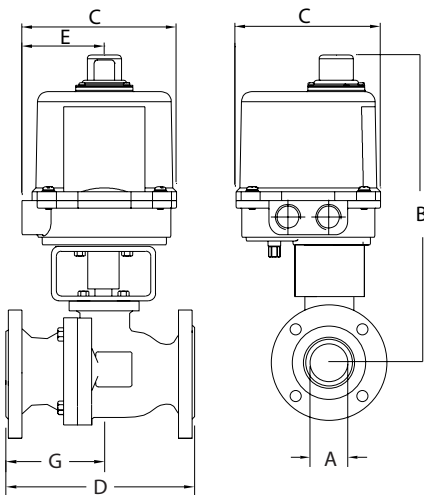
A	B	C	D	E	F	ACT.	WT.
6"	20.97	6.45	15.50	16.85	3.44	140DA	194.85

SPRING RETURN

A	B	C	D	E	F	ACT.	WT.
6"	23.65	8.82	15.50	20.94	4.41	201SR	255.30

ALL STANDARD PNEUMATIC ACTUATORS SIZED FOR 80 PSI SUPPLY; PLEASE CONSULT OUR SALES STAFF FOR OTHER COMBINATIONS

ELECTRIC ACTUATORS



A	B	C	D	E	F	ACT.	WT.
6"	21.34	8.54	15.50	8.54	4.33	P5	210

ALL ELECTRIC ACTUATOR DIMENSIONS ARE FOR NEMA 4 ENCLOSURES. FOR NEMA 7 ENCLOSURE DIMENSIONS, PLEASE CONSULT OUR SALES STAFF.