



### Description & Features:

- Excellent solution for commercial applications requiring monitoring and control
- Low pressure differential switch for monitoring pressure, vacuum and differential pressure of air and other non combustible, non aggressive gases
- Pressure indicating adjustment knob allows for simple field changes without the need of a pressure gauge
- Pressure ranges in both Inches of Water and Pascals
- Single-pole double-throw (SPDT) switch with 1.0 A 250VAC output
- The compact size allows for hassle-free installation in small areas
- CE, RoHS & REACH compliant
- 5 year warranty

### Applications:

- Field applications include: monitoring air filters and ventilators, overheating protection for fan heaters and controlling air and fire protection flaps, protection for heat exchangers, and flow in ventilation ducts

Specifications	
<b>Housing Material</b>	Grey colour Polyamide 6.6 plastic
<b>Window Cover Material</b>	Frosted Polystyrene resin
<b>Deadband Accuracy</b>	+/- 15% of upper and lower pressure ratings
<b>Pressure Connection</b>	2 x plastic pipe connection, 6.0mm (1/4") external diameter, labelled P1 & P2
<b>Electrical Connection</b>	Flat plug 6.3mm x 0.8mm or push-on screw terminals with PG-11 or M20x1.5 cable strain relief
<b>Wetted Parts</b>	Silicone based diaphragm, tempered at 392°F (200°C)
<b>Set Point Adjustment</b>	Field adjustable knob
<b>Contact Rating</b>	1.0A 250VAC output, 0.1A 24VDC (low voltage version)
<b>Number of Contacts</b>	Single-pole double-throw (SPDT)
<b>Maximum Operating Pressure</b>	1.45 psi (10 kPa)
<b>Ambient/Process Temperature</b>	-4°F to 185°F (-20°C to 85°C)
<b>Storage Temperature</b>	-40°F to 185°F (-40°C to 85°C)
<b>Enclosure Rating</b>	IP54
<b>Approvals</b>	CE, RoHS & REACH compliant
<b>Typical Life</b>	Over 10 <sup>6</sup> switching operations
<b>Weight</b>	150g with cover, 110g without cover
<b>Mounting Position</b>	Vertical installation with pressure connections pointing downwards

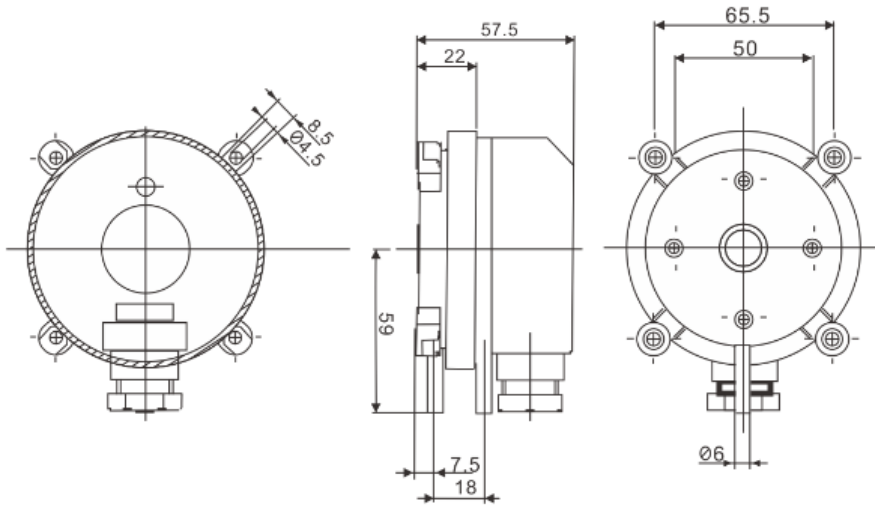
### Order Codes

Set Point Range				Average Deadband
Pa		inH <sub>2</sub> O		
20-200	WPS0200	0.08-1.20	WPS0200R8	+/- 15%
30-300	WPS0300	0.12-1.60	WPS0300R8	+/- 15%
50-500	WPS0500	0.20-2.00	WPS0500R8	+/- 15%
200-1,000	WPS1000	0.80-4.00	WPS1000R8	+/- 15%
500-2,500	WPS2500	2.00-10.00	WPS2500R8	+/- 15%
1,000-4,000	WPS4000	4.00-16.00	WPS4000R8	+/- 15%

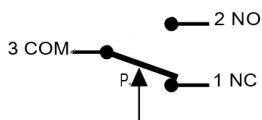
### Optional Order Codes

Static Pressure tip with Flange	PVC Tubing, 20m (65')
WPS1010	WPS1020

### Dimensions (mm)



### Wiring Diagram



- 1 Break contact
- 2 Operating contact
- 3 Power supply line

