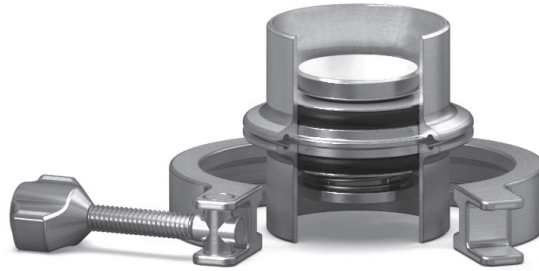


SANITARY CARTRIDGE VALVE



Valve shown in ferrules.
Ferrules and clamp not included.

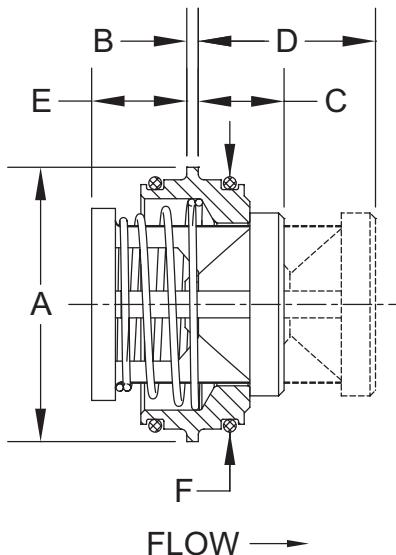


The **Sanitary Cartridge (SC)** valve is a stainless steel check valve for use with new or existing sanitary ferrules. The SC design seals on the ID of ferrules with replaceable food grade seals (Standard is FDA EPDM). The valve fits the Alfa Laval Inc. Bevel Seat and Tri-Clamp[®] fittings, Cherry-Burrell Q-Line and S-Line fittings and others with ID dimensions equal to the "F" dimensions listed below (ferrules not included). The compact SC design fits inside a single fitting and requires no additional space in the line. Its size makes it extremely economical when compared to full-bodied valves.

For applications requiring a 3-A compliant valve and/or 32 RA or finer surface finishes, see our 3S series on page 23.

The SC valve can also be used as a low pressure relief valve or vacuum breaker by using the desired spring settings.

Note: USP Class VI o-rings can be supplied with certification.



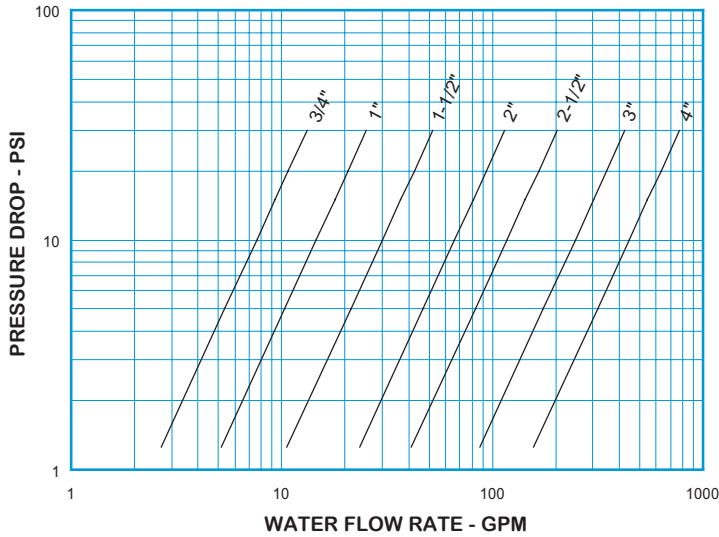
Line Size	Size Code	A	B	C ❶	D ❷	E	F ❸	Orifice Diameter
3/4	F	3/4	1/16	0.44	0.78	0.28	0.620	0.348
1	H	1	1/16	0.53	0.89	0.30	0.870	0.464
1-1/2	J	1-1/2	1/16	0.53	1.06	0.63	1.370	0.890
2	K	2	1/16	0.66	1.39	0.66	1.870	1.135
2-1/2	L	2-1/2	1/16	0.69	1.56	0.88	2.370	1.385
3	M	3	1/16	0.75	1.97	1.25	2.870	2.025
4	N	4	1/16	0.88	2.41	1.63	3.834	2.560

- ❶ Maximum nominal dimension for valve closed.
- ❷ Maximum nominal dimension for a fully open valve with no spring.
- ❸ Valves are designed to function with fittings having these internal diameters. (±0.005)

Body Material ❹	Line Size	Non-Shock Pressure-Temp Rating @ 100°F Consult factory for P-T ratings above 100°F
316/316L Stainless Steel (SS)	3/4" - 1-1/2"	1000 PSIG
	2" - 4"	725 PSIG

❹ See page 56 for material grade information.

Sanitary Cartridge Valve
For Water at 72°F



Note: All flow curves and Cv values presume the valves are fully open with 1/2 PSI cracking pressure springs. Consult the factory for more information.

STYLE SC		
C _v VALUES & VALVE WEIGHTS		
C _v	SIZE	316SS
2.4	3/4	0.3 oz.
4.6	1	1.0 oz.
9.5	1-1/2	2.9 oz.
20.9	2	6.1 oz.
37.0	2-1/2	11.2 oz.
77.9	3	11.4 oz.
141	4	2.6 lb.

See page 51 for Flow Formulae.
Valve weights are approximate.

HOW TO ORDER
CHECK-ALL STYLE SC

BODY MATERIAL
316/316L SS = SS
See p. 3 for temperature rating

SPRING CRACKING PRESSURES (PSI)
Must use decimal as a character unless selecting NO SPRING. Specify Exact Setting

SPRING RANGES	EXAMPLE
.000 TO .999	= .500
1.00 TO 9.99	= 1.50
10.0 TO 85.0	= 15.0
NO SPRING	= NOSPRG

STANDARD CRACKING PRESSURES ①

.125	.500	1.50	3.50
(Sizes F-K Only)			

SPECIAL OPTIONS

T = FEP ENCAPSULATED SPRING
-O = Outer o-ring seals same as seat ③
Contact the factory for more options
See pages 3 & 4 for temperature rating

VALVE STYLE

SC

SS

SIZE

3/4 = F
1 = H
1-1/2 = J
2 = K
2-1/2 = L
3 = M
4 = N

SEAT & OUTER SEALS MATERIAL ②

FDA AFLAS® = FA	PTFE = TF
FDA BUNA = FB	USP CLASS VI AFLAS® = UA
FDA EPDM = FE	USP CLASS VI EPDM = UE
FDA VITON™ = FV	USP CLASS VI SILICONE = US
FDA KALREZ® = FK	USP CLASS VI VITON™ = UV
"METAL-TO-METAL" = MT	

See p. 3 for temperature ratings

SPRING MATERIAL

316 SS = SS
ALLOY C-276 = HC
INCONEL® X750 OR ALLOY X750 = IX
MONEL® 400 = MO
17-7PH SS = PH
TITANIUM = TI

See p. 4 for temperature ratings

Listed above are the most common material selections. Please contact the factory for additional options.

- ① .500 PSI is the only standard cracking pressure for spring materials other than Stainless Steel. .125 PSI springs are not recommended for installations with flow vertical down.
- ② "Metal-to-Metal" and PTFE seats are not resilient nor available for outer seals. See page 52 for allowable leakage rates.
- ③ -O option not available for "Metal-to-Metal" and PTFE seats, FE will be used as standard. Consult factory for other options.