



### Description & Features:

- Excellent flow regulation and leak tight
- The one-piece body construction (no welding) provides strength, safety and corrosion resistance
- “Slow opening” prevents sudden pressure surge and instrument damage
- Material includes stainless steel and stainless steel NACE
- Available in Hard Seat (6,000 and 10,000 psi)
- ASME B1.20.1 compliant
- CRN registered
- 5 year warranty

### Applications:

- Ideally suited for severe duty oil and gas installations including refineries and processing plants as well as water treatment plants, power plants and hydraulic applications

### Angle Body Order Codes (products in bold are normally stock in North America)

NPT Connection	Material	Max. Pressure	Code
1/4" Female x 1/4" Female	Stainless Steel	6,000 psi	<b>NVA8020</b>
		10,000 psi	<b>NVA9020</b>
1/4" Male x 1/4" Female		6,000 psi	<b>NVA8000</b>
		10,000 psi	<b>NVA9000</b>
3/8" Female x 3/8" Female		6,000 psi	NVA8024
		10,000 psi	NVA9024
3/8" Male x 3/8" Female		6,000 psi	NVA8004
		10,000 psi	NVA9004
1/2" Female x 1/2" Female		6,000 psi	<b>NVA8021</b>
		10,000 psi	<b>NVA9021</b>
1/2" Male x 1/2" Female		6,000 psi	<b>NVA8001</b>
		10,000 psi	<b>NVA9001</b>
3/4" Female x 1/2" Female		6,000 psi	NVA8022
		10,000 psi	NVA9022
3/4" Male x 1/2" Female		6,000 psi	NVA8002
		10,000 psi	NVA9002
3/4" Female x 3/4" Female		6,000 psi	NVA8025
		10,000 psi	NVA9025
3/4" Male x 3/4" Female		6,000 psi	NVA8005
		10,000 psi	NVA9005
1" Female x 1" Female	6,000 psi	NVA8023	
	10,000 psi	NVA9023	
1" Male x 1" Female	6,000 psi	NVA8003	
	10,000 psi	NVA9003	

### Angle Body NACE Order Codes

NPT Connection	Material	Max. Pressure	Code
1/4" Female x 1/4" Female	Stainless Steel NACE	6,000 psi	NVA8020N
		10,000 psi	NVA9020N
1/4" Male x 1/4" Female		6,000 psi	NVA8000N
		10,000 psi	NVA9000N
3/8" Female x 3/8" Female		6,000 psi	NVA8024N
		10,000 psi	NVA9024N
3/8" Male x 3/8" Female		6,000 psi	NVA8004N
		10,000 psi	NVA9004N
1/2" Female x 1/2" Female		6,000 psi	NVA8021N
		10,000 psi	NVA9021N
1/2" Male x 1/2" Female		6,000 psi	NVA8001N
		10,000 psi	NVA9001N
3/4" Female x 1/2" Female		6,000 psi	NVA8022N
		10,000 psi	NVA9022N
3/4" Male x 1/2" Female		6,000 psi	NVA8002N
		10,000 psi	NVA9002N
3/4" Female x 3/4" Female		6,000 psi	NVA8025N
		10,000 psi	NVA9025N
3/4" Male x 3/4" Female		6,000 psi	NVA8005N
		10,000 psi	NVA9005N
1" Female x 1" Female	6,000 psi	NVA8023N	
	10,000 psi	NVA9023N	
1" Male x 1" Female	6,000 psi	NVA8003N	
	10,000 psi	NVA9003N	

#### Option suffix:

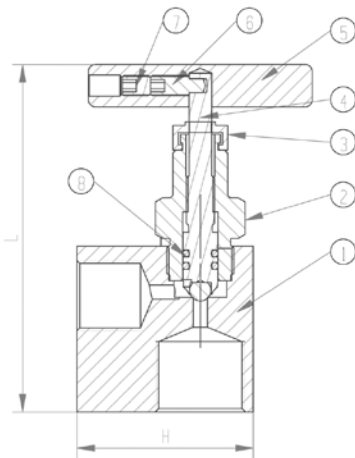
CPM = Carbon steel panel mount kit

SPM = Stainless steel panel mount kit

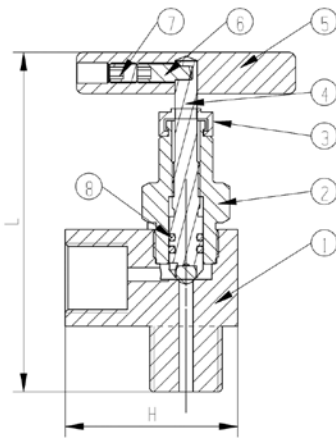
### Material

Description	Component Number	Stainless Steel	Stainless Steel NACE
Body	1	316 SS	316 SS NACE
Bonnet	2	316 SS	316 SS NACE
Dustcap	3	Nylon	Nylon
Needle / Needle Tip	4	316 SS	316 SS NACE
Handle	5	304 SS	304 SS
Screw	6	304 SS	304 SS
Fastening Screws	7	304 SS	304 SS
O-ring	8	FKM	FKM
Dwell Pin	9	304 SS	304 SS

### Female x Female



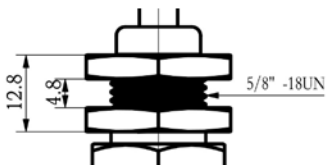
### Male x Female



### Dimensions

Size	H	L	SQ
1/4" Female x 1/4" Female	1.81" (46mm)	3.66" (93mm)	1.10" (28mm)
1/4" Male x 1/4" Female	1.77" (45mm)	3.58" (91mm)	1.10" (28mm)
3/8" Female x 3/8" Female	1.81" (46mm)	3.66" (93mm)	1.10" (28mm)
3/8" Male x 3/8" Female	1.77" (45mm)	3.82" (97mm)	1.10" (28mm)
1/2" Female x 1/2" Female	1.97" (50mm)	3.82" (97mm)	1.10" (28mm)
1/2" Male x 1/2" Female	1.97" (50mm)	3.82" (97mm)	1.10" (28mm)
3/4" Female x 1/2" Female	1.97" (50mm)	3.82" (97mm)	1.26" (32mm)
3/4" Male x 1/2" Female	1.97" (50mm)	3.86" (98mm)	1.10" (28mm)
3/4" Female x 3/4" Female	1.97" (50mm)	3.82" (97mm)	1.26" (32mm)
3/4" Male x 3/4" Female	1.97" (50mm)	3.86" (98mm)	1.26" (32mm)
1" Female x 1" Female	2.48" (63mm)	4.41" (112mm)	1.58" (40mm)
1" Male x 1" Female	2.48" (63mm)	4.41" (112mm)	1.58" (40mm)

### Panel Mont Kit (CPM/SPM)



### Panel Mont Kit (CPM/SPM)

