



**Description & Features:**

- Most economical, all-purpose pressure gauge
- 1.5" (40mm) to 4" (100mm) sizes
- Friction bezel rings
- Black steel case
- Brass or lead free brass wetted parts
- ±3-2-3% accuracy
- ASME B40.100 compliant (EN837-1 available)
- CRN registered
- Lead free version NSF-61-372 certified
- 5 year warranty

**Applications:**

- General purpose gauge for plumbing, heating, air conditioning, pneumatic, hydraulic, water tanks, air compressors, OEM
- Lead free version for potable water systems
- Suitable for non-clogging and non-corroding media

Specifications	
Dial	1.5" (40mm), 2" (50mm), 2.5" (63mm), 4" (100mm) white aluminum with black and red markings
Case	Steel, painted black (plastic available)
Lens	1.5" (40mm), 2" (50mm), 2.5" (63mm): Acrylic 4" (100mm): Glass
Ring	1.5" (40mm), 2" (50mm): Steel, painted black 2.5" (63mm), 4" (100mm): Steel, chrome plated
Socket	PEM: Brass PEM-LF: Lead free brass, NSF-61-372 certified
Connection	1/8" NPT or 1/4" NPT standard
Bourdon Tube	PEM: Phosphor bronze PEM-LF: Lead free phosphor bronze, NSF-61-372 certified
Movement	PEM: Brass PEM-LF (1.5", 2", 2.5"): SS, PEM-LF (4"): Lead free brass, NSF-61-372 certified
Pointer	Aluminum, black
Welding	Silver alloy
Over-pressure Limit	25% of full scale value
Working Pressure	Maximum 75% of full scale value
Ambient/Process Temperature	-40°F to 150°F (-40°C to 65°C)
Accuracy	±3-2-3% ANSI/ASME Grade B
Enclosure Rating	IP52
Warning	<b>WARNING:</b> This product can expose you to chemicals including lead, which is known to the State of California to cause cancer and birth defects or other reproductive harm. For more information go to <a href="http://www.P65Warnings.ca.gov">www.P65Warnings.ca.gov</a> .

### PEM Order Codes (products in bold are normally stock in North America)

Dial Size	1.5" (40mm)		2" (50mm)				2.5" (63mm)		4" (100mm)	
Connection	1/8" Bottom	1/8" Back (CB)	1/8" Bottom	1/8" Back (CB)	1/4" Bottom	1/4" Back (CB)	1/4" psi only Bottom	1/4" Bottom	1/4" Back (CB)	1/4" Bottom
Case Material	Steel						Plastic	Steel		
30" Hg Vac/kPa	PEM1297	<b>PEM1397</b>	<b>PEM195</b>	PEM1424	<b>PEM135</b>	<b>PEM1428</b>	PEM1398	<b>PEM210</b>	<b>PEM1431</b>	<b>PEM220</b>
30"/0/15 psi/kPa	-	-	-	-	-	-	-	<b>PEM152</b>	-	-
30"/0/30 psi/kPa	-	-	-	-	-	-	-	<b>PEM153</b>	-	-
30"/0/60 psi/kPa	-	-	-	-	-	-	-	<b>PEM154</b>	-	-
30"/0/100 psi/kPa	-	-	-	-	-	-	-	PEM155	-	-
0/15 psi/kPa	<b>PEM1299</b>	<b>PEM1399</b>	<b>PEM196</b>	<b>PEM1425</b>	<b>PEM136</b>	<b>PEM1429</b>	-	<b>PEM211</b>	<b>PEM1436</b>	PEM295
0/30 psi/kPa	<b>PEM1300</b>	<b>PEM1400</b>	<b>PEM206</b>	<b>PEM1402</b>	<b>PEM199</b>	<b>PEM1403</b>	<b>PEM200</b>	<b>PEM212</b>	<b>PEM1437</b>	<b>PEM221</b>
0/60 psi/kPa	<b>PEM1301</b>	<b>PEM1401</b>	<b>PEM207</b>	<b>PEM1404</b>	<b>PEM201</b>	<b>PEM1405</b>	<b>PEM194</b>	<b>PEM213</b>	<b>PEM1438</b>	<b>PEM222</b>
0/100 psi/kPa	<b>PEM1320</b>	<b>PEM1420</b>	<b>PEM208</b>	<b>PEM1406</b>	<b>PEM202</b>	<b>PEM1407</b>	-	<b>PEM214</b>	<b>PEM1439</b>	<b>PEM223</b>
0/160 psi/kPa	<b>PEM1321</b>	<b>PEM1421</b>	<b>PEM197</b>	<b>PEM1408</b>	<b>PEM203</b>	<b>PEM1409</b>	-	<b>PEM215</b>	<b>PEM1440</b>	<b>PEM224</b>
0/200 psi/kPa	<b>PEM1322</b>	<b>PEM1422</b>	<b>PEM209</b>	<b>PEM1426</b>	<b>PEM204</b>	<b>PEM1410</b>	-	<b>PEM216</b>	<b>PEM1441</b>	<b>PEM225</b>
0/300 psi/kPa	PEM1323	PEM1423	<b>PEM198</b>	PEM1427	<b>PEM205</b>	<b>PEM1411</b>	-	<b>PEM217</b>	PEM1442	<b>PEM226</b>
0/400 psi/kPa	-	-	-	-	-	PEM1414	-	<b>PEM219</b>	PEM3412	PEM227
0/600 psi/kPa	-	-	-	-	-	PEM1412	-	<b>PEM218</b>	PEM3413	-
0/1,000 psi/kPa	-	-	-	-	-	-	-	<b>PEM290</b>	-	-
0/3,000 psi/kPa	-	-	-	-	-	-	-	<b>PEM291</b>	-	-
0/5,000 psi/kPa	-	-	-	-	-	-	-	<b>PEM292</b>	-	-

### PEM-LF Order Codes (products in bold are normally stock in North America)

Dial Size	1.5" (40mm)		2" (50mm)				2.5" (63mm)		4" (100mm)
Connection	1/8" Bottom	1/8" Back (CB)	1/8" Bottom	1/8" Back (CB)	1/4" Bottom	1/4" Back (CB)	1/4" Bottom	1/4" Back (CB)	1/4" Bottom
Case Material	Steel						Steel		
30" Hg Vac/kPa	<b>PEM1297LF</b>	<b>PEM1397LF</b>	<b>PEM195LF</b>	<b>PEM1424LF</b>	<b>PEM135LF</b>	<b>PEM1428LF</b>	<b>PEM210LF</b>	<b>PEM1431LF</b>	<b>PEM220LF</b>
30"/0/15 psi/kPa	-	-	-	-	-	-	PEM152LF	-	-
30"/0/30 psi/kPa	-	-	-	-	-	-	PEM153LF	-	-
30"/0/60 psi/kPa	-	-	-	-	-	-	PEM154LF	-	-
30"/0/100 psi/kPa	-	-	-	-	-	-	PEM155LF	-	-
0/15 psi/kPa	<b>PEM1299LF</b>	<b>PEM1399LF</b>	<b>PEM196LF</b>	<b>PEM1425LF</b>	<b>PEM136LF</b>	<b>PEM1429LF</b>	<b>PEM211LF</b>	<b>PEM1436LF</b>	-
0/30 psi/kPa	<b>PEM1300LF</b>	<b>PEM1400LF</b>	<b>PEM206LF</b>	<b>PEM1402LF</b>	<b>PEM199LF</b>	<b>PEM1403LF</b>	<b>PEM212LF</b>	<b>PEM1437LF</b>	<b>PEM221LF</b>
0/60 psi/kPa	<b>PEM1301LF</b>	<b>PEM1401LF</b>	<b>PEM207LF</b>	<b>PEM1404LF</b>	<b>PEM201LF</b>	<b>PEM1405LF</b>	<b>PEM213LF</b>	<b>PEM1438LF</b>	<b>PEM222LF</b>
0/100 psi/kPa	<b>PEM1320LF</b>	<b>PEM1420LF</b>	<b>PEM208LF</b>	<b>PEM1406LF</b>	<b>PEM202LF</b>	<b>PEM1407LF</b>	<b>PEM214LF</b>	<b>PEM1439LF</b>	<b>PEM223LF</b>
0/160 psi/kPa	<b>PEM1321LF</b>	<b>PEM1421LF</b>	<b>PEM197LF</b>	<b>PEM1408LF</b>	<b>PEM203LF</b>	<b>PEM1409LF</b>	<b>PEM215LF</b>	<b>PEM1440LF</b>	<b>PEM224LF</b>
0/200 psi/kPa	<b>PEM1322LF</b>	<b>PEM1422LF</b>	<b>PEM209LF</b>	<b>PEM1426LF</b>	<b>PEM204LF</b>	<b>PEM1410LF</b>	<b>PEM216LF</b>	<b>PEM1441LF</b>	<b>PEM225LF</b>
0/300 psi/kPa	<b>PEM1323LF</b>	<b>PEM1423LF</b>	<b>PEM198LF</b>	<b>PEM1427LF</b>	<b>PEM205LF</b>	<b>PEM1411LF</b>	<b>PEM217LF</b>	<b>PEM1442LF</b>	<b>PEM226LF</b>
0/400 psi/kPa	-	-	-	-	-	-	<b>PEM219LF</b>	-	PEM227LF
0/600 psi/kPa	-	-	-	-	-	-	<b>PEM218LF</b>	PEM3413LF	-
0/1,000 psi/kPa	-	-	-	-	-	-	<b>PEM290LF</b>	-	-
0/3,000 psi/kPa	-	-	-	-	-	-	PEM291LF	-	-
0/5,000 psi/kPa	-	-	-	-	-	-	PEM292LF	-	-

Other ranges and connection sizes available upon request. For scale change, refer to How to Order Guide for scale codes.

**For options, attach suffix to end of order code: i.e. PEM1399-GL15 for 1.5" GLASS LENS.**

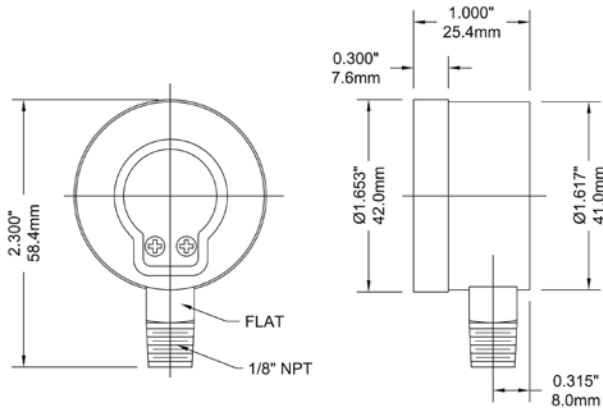
#### Option suffix:

ECASE15SSBK = 1.5" (40mm) SS back case connection  
 ECASE15SSBTM = 1.5" (40mm) SS bottom connection  
 ECASE20SSBK = 2" (50mm) SS case back connection  
 ECASE20SSBTM = 2" (50mm) SS case bottom connection

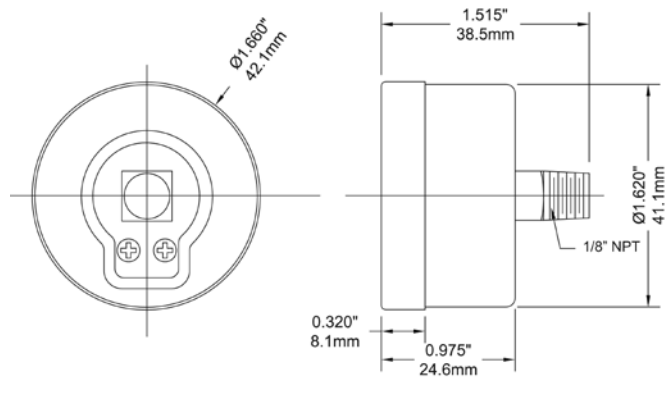
EN = EN837-1 compliant  
 GL15 = Glass lens for 1.5" (40mm) dial  
 GL2 = Glass lens for 2" (50mm) dial  
 GL25 = Glass lens for 2.5" (63mm) dial

Note: For 1.5" to 2" SS internals, please see PRL Series Regulator Gauges.

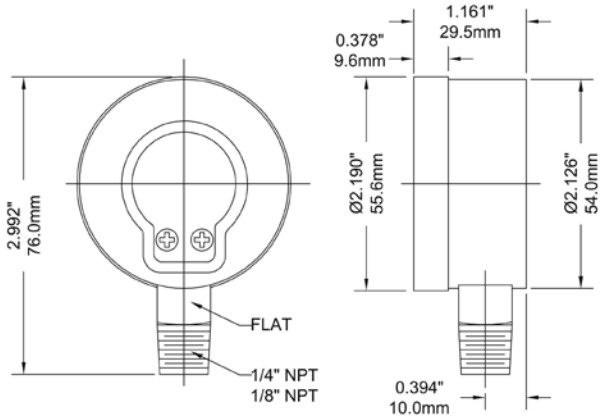
**1.5" Bottom Connection**



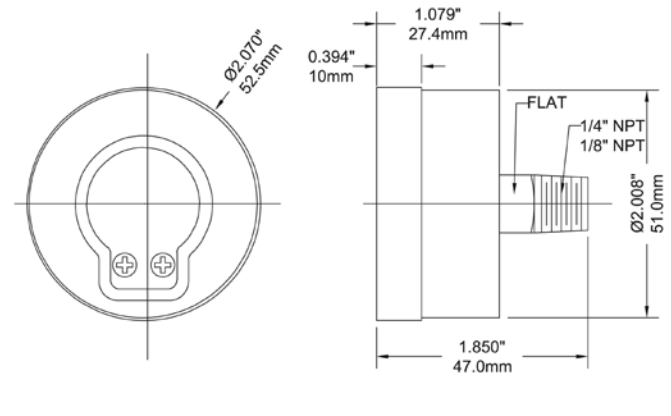
**1.5" Back Connection**



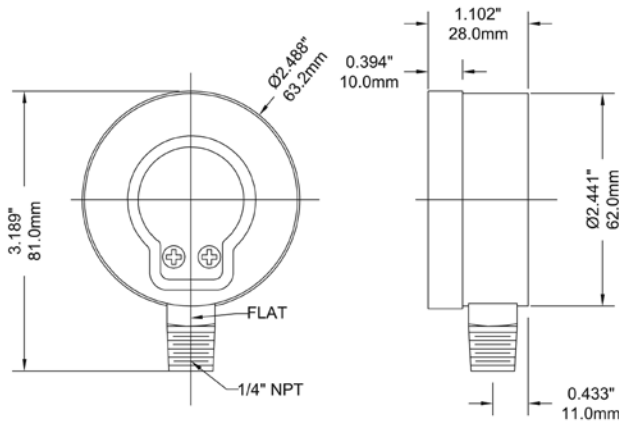
**2" Bottom Connection**



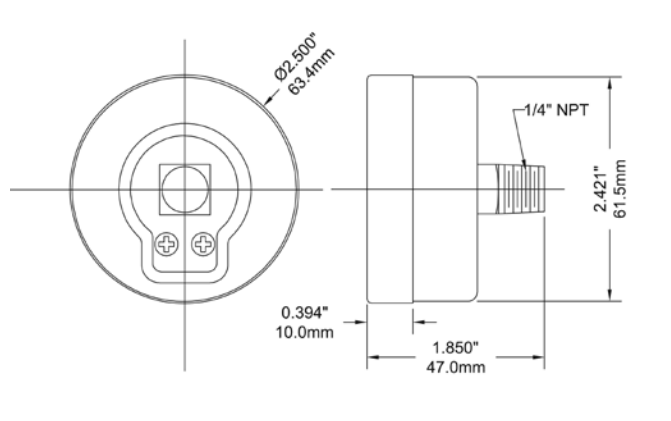
**2" Back Connection**



**2.5" Bottom Connection**



**2.5" Back Connection**



**4" Bottom Connection**

