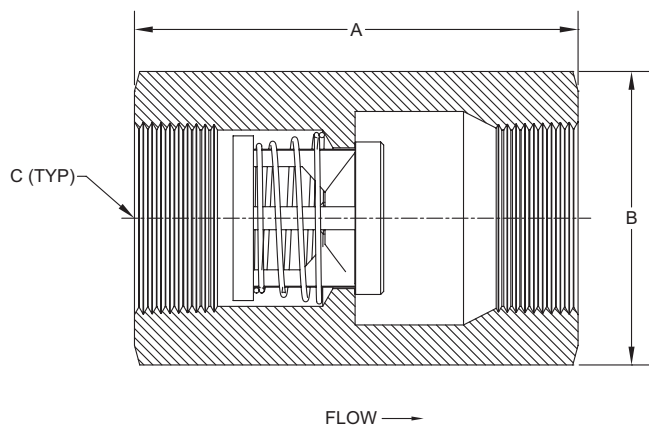


The **Universal Low Pressure (U3, UR)** check valve is a one piece body machined from bar stock and is designed for minimum pressure drop. The valve has a light-weight, compact design that provides maintenance-free, dependable service. NPT threads are per ASME B1.20.1. Also available with ISO 7 "Rp" threads. (UR). These valves can also be used as a low pressure relief valve or vacuum breaker by using the desired spring settings.

NOTE: Many valves in this series can be supplied with B16.34 certification. Consult the factory for more information.



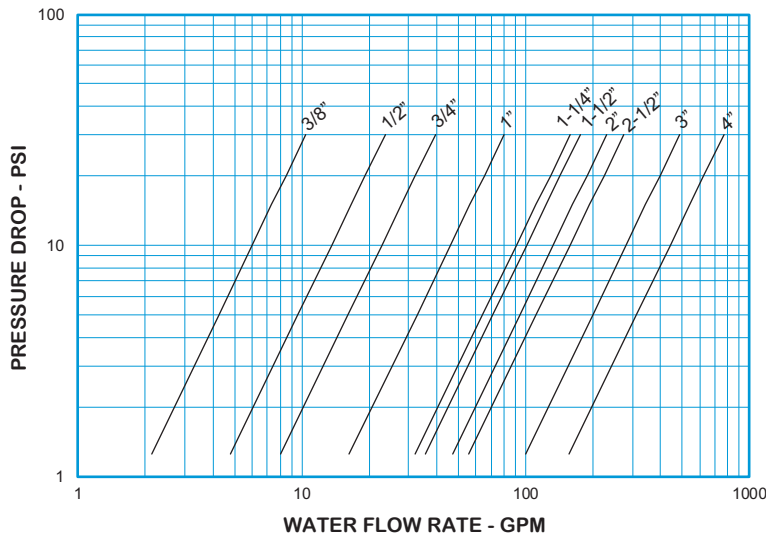
Nom. Pipe Size	Size Code	A	Hex ¹ Size B	C	Orifice Diameter
3/8	C	2.16	13/16	3/8 NPT	0.348
1/2	D	2.71	1-1/8	1/2 NPT	0.464
3/4	F	2.95	1-1/4	3/4 NPT	0.593
1	H	3.64	1-5/8	1 NPT	0.890
1-1/4	I	3.91	2-1/4	1-1/4 NPT	1.135
1-1/2	J	4.36	2-1/2	1-1/2 NPT	1.385
2	K	5.85	3	2 NPT	1.555
2-1/2	L	5.50	3-3/4	2-1/2 NPT	1.555
3	M	6.25	4-1/2	3 NPT	2.025
4	N	7.13	5-1/2	4 NPT	2.560

¹ May be larger and/or round.

Body Material ²	Availability	Non-Shock Pressure-Temp. Rating @ 100° F Consult factory for P-T rating above 100° F	
316 Stainless Steel (SS)	Standard	3/8" - 3"	4"
Carbon Steel (CS)			
Brass (BR)			
Alloy 20 (A2)	Semi-standard	3000 PSIG (1500 PSIG for o-ring seats)	1500 PSIG
Alloy C-276 (HC)			
MONEL® 400 or Alloy R405	Contact the factory for these or other materials		
Alloy B (HB)			
Titanium (TI)			

² See page 56 for material grade information.

**Universal Low Pressure
For Water at 72°F**



Note: All flow curves and Cv values presume the valves are fully open with 1/2 PSI cracking pressure springs. Consult the factory for more information.

STYLE U3 C _v VALUES & VALVE WEIGHTS			
C _v	SIZE	SS & CS ALLOYS	BRASS
1.9	3/8	3.0 oz.	3.3 oz.
4.3	1/2	8.5 oz.	9.1 oz.
7.2	3/4	9.6 oz.	10.1 oz.
14.6	1	1.2 lb.	1.3 lb.
28.8	1-1/4	2.9 lb.	3.2 lb.
31.9	1-1/2	3.6 lb.	3.9 lb.
42.0	2	6.5 lb.	7.2 lb.
50.0	2-1/2	9.2 lb.	10 lb.
89.0	3	14.3 lb.	15.5 lb.
140	4	21.7 lb.	23.9 lb.

See page 51 for Flow Formulae.
Valve weights are approximate.

**HOW TO ORDER
CHECK-ALL STYLE U3**

BODY MATERIAL

ALLOY 20 = A2
BRASS = BR
CARBON STEEL = CS
ALLOY B = HB
ALLOY C-276 = HC
MONEL® 400 OR ALLOY R405 = MO
316 SS = SS
TITANIUM = TI

See p. 3 for temperature ratings

SPRING CRACKING PRESSURES (PSI)

Must use decimal as a character unless selecting NO SPRING. Specify Exact Setting

SPRING RANGES	EXAMPLE
.000 TO .999	= .500
1.00 TO 9.99	= 1.50
10.0 TO 85.0	= 15.0
NO SPRING	= NOSPRG

STANDARD CRACKING PRESSURES ①

.125	.500	1.50	3.50
------	------	------	------

(Sizes C-I Only)

Note: Many other cracking pressures are available. All spring tolerances +/- 15%.

U

VALVE STYLE

NPT Threads = U3
ISO 7 Rp Threads = UR

SIZE

3/8 = C
1/2 = D
3/4 = F
1 = H
1-1/4 = I
1-1/2 = J
2 = K
2-1/2 = L
3 = M
4 = N

SEAT MATERIAL ②

AFLAS® = AS
BUNA-N = BN
EPDM ③ = EP
KALREZ® = KZ
"METAL-TO-METAL" = MT
NEOPRENE = NE
PTFE = TF
VITON™ = VT

See p. 3 for temperature ratings

SPECIAL OPTIONS

T = FEP ENCAPSULATED SPRING
Contact the factory for more options

See p. 4 for temperature rating

SPRING MATERIAL

316 SS = SS
ALLOY C-276 = HC
ALLOY B = HB
INCONEL® X750 OR ALLOY X750 = IX
MONEL® 400 = MO
17-7PH SS = PH
TITANIUM = TI

See p. 4 for temperature ratings

Listed above are the most common material selections. Please contact the factory for additional options.

① .500 PSI is the only standard cracking pressure for spring materials other than Stainless Steel. .125 PSI springs are not recommended for installations with flow vertical down.

② Seat materials other than "metal-to-metal" have a maximum pressure rating of 1500 PSI. "Metal-to-Metal" and PTFE seats are not resilient. See page 52 for allowable leakage rates.

③ EP seats not recommended for use with Carbon Steel valves.

www.checkall.com sales@checkall.com ISO 9001 CERTIFIED MADE IN USA 2019

Page information references listed on this cut sheet are available in the printed catalog as well as the digital catalog, which is available at www.checkall.com.