



Description & Features:

- Vac to 10,000 psi pressure range
- Explosion proof SPDT or DPDT switch
- Stainless steel with FKM and PTFE wetted parts
- ANSI dual seal design
- Diaphragm seal/piston sensor
- Safe to adjust during operation
- Lockable setpoint wheel to avoid shifting during operation
- ±2% of full scale accuracy
- NEMA 4X, 7 & 9 enclosure rating
- CSA approved for hazardous locations
- Designed for sour gas applications requiring NACE standards MR0175-2009
- CRN registered (up to 3,000 psi models)
- 5 year warranty

Applications:

- Suitable for hazardous locations including safety panels and with pump and gas compressors, turbines and other oil & gas applications
- Appropriate for oil & gas, power plants, chemical facilities and water treatment
- Designed for hazardous locations where an explosion proof switch is required

Specifications

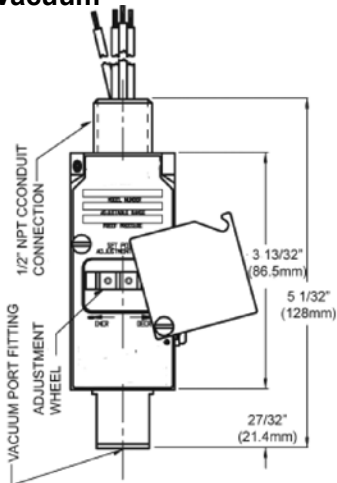
Specifications	
Housing Material	316 SS
Port Material	316 SS
Accuracy	±2% of full scale
Pressure Connection	1/4" NPTF (1/2" NPTF optional)
Electrical Connection	1/2" NPTM, 18 AWG, 18" (457 mm) free leads
Wetted Parts	Vacuum and low pressure - seals: FKM diaphragm High pressure - piston: SS with PTFE backup ring and FKM o-ring
Set Point Adjustment	Internal adjustment wheel with built in locking set-screws (#6) ¹
Deadband	Fixed
Contact Rating	11 amps @ 125/250 Vac 5 amps @ 30 Vdc
No. of Contacts	1 x SPDT (2 x SPDT optional)
Vibration	10 g 10-500 Hz, MIL-STD-202F
Shock	50 g 11 ms, MIL-S-901C
EMI/RFI Protection	EN55011
Ambient Temperature	-40°F to 149°F (-40°C to 65°C)
Enclosure Rating	NEMA 4X, 7 & 9
Approvals	CSA approved (Canada and USA) for use in hazardous locations Class I, Div. 1, Groups B, C & D; Class II, Div. 1, Groups E, F & G CRN registered (up to 3,000 psi model) ANSI Dual Seal Compliant NACE MR0175-2009
Typical Life	2.5 million cycles
Weight	1.85 lbs (839 grams)

¹ Need to loosen set screw (#6) at all times when resetting adjustment.

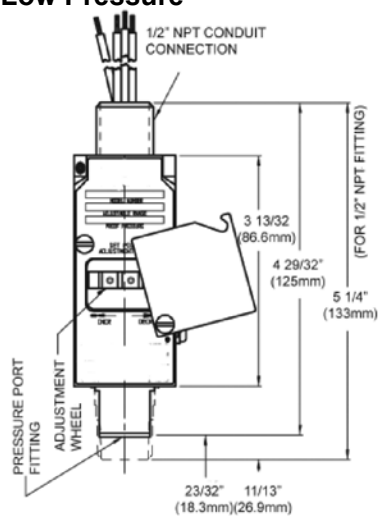
Order Codes

Adjustable Range psi (bar)		Approximate Deadband (Actuation value) psi (bar)	Proof Pressure psi (bar)	SPDT 1/4" NPT	SPDT 1/2" NPT	DPDT 1/4" NPT	DPDT 1/2" NPT
Min	Max						
1" Hg	30" Hg	4-9" Hg	30" Hg	9WPSV01N4	9WPSV01N2	9WPSV012CCVN4S	9WPSV012CCVN2S
2 (0.1)	15 (1)	1-3 (.07-.2)	1,000 (69)	9WPSL02N4	9WPSL02N2	9WPSL022CCVN4S	9WPSL022CCVN2S
1 (0.07)	30 (2)	1-4 (.07-.27)	1,000 (69)	9WPSL06N4	9WPSL06N2	9WPSL062CCVN4S	9WPSL062CCVN2S
5 (0.3)	150 (10.3)	2-25 (0.1-1.7)	1,000 (69)	9WPSL03N4	9WPSL03N2	9WPSL032CCVN4S	9WPSL032CCVN2S
25 (1.7)	300 (20.6)	7-40 (0.5-2.8)	1,000 (69)	9WPSL04N4	9WPSL04N2	9WPSL042CCVN4S	9WPSL042CCVN2S
50 (3.4)	500 (34.5)	15-60 (1-4.1)	1,000 (69)	9WPSL05N4	9WPSL05N2	9WPSL052CCVN4S	9WPSL052CCVN2S
100 (6.9)	750 (51.7)	50-150 (3.4-10.3)	15,000 (1,034)	9WPSH06N4	9WPSH06N2	9WPSH062CCVN4S	9WPSH062CCVN2S
150 (10.3)	1,000 (69)	70-200 (4.7-13.8)	15,000 (1,034)	9WPSH07N4	9WPSH07N2	9WPSH072CCVN4S	9WPSH072CCVN2S
150 (10.3)	3,000 (207)	50-1,000 (3.4-68.9)	15,000 (1,034)	9WPSH11N4	9WPSH11N2	9WPSH112CCVN4S	9WPSH112CCVN2S
400 (27.6)	3,000 (207)	100-400 (6.9-27.6)	15,000 (1,034)	9WPSH08N4	9WPSH08N2	9WPSH082CCVN4S	9WPSH082CCVN2S
700 (48.2)	5,000 (345)	140-600 (9.6-41.4)	15,000 (1,034)	9WPSH09N4	9WPSH09N2	9WPSH092CCVN4S	9WPSH092CCVN2S
1,000 (69)	7,500 (517)	140-800 (9.6-55.2)	15,000 (1,034)	9WPSH10N4	9WPSH10N2	9WPSH102CCVN4S	9WPSH102CCVN2S
5,000 (344.8)	10,000 (689.7)	200-2,000 (13.8-137.9)	15,000 (1,034)	9WPSH12N4	9WPSH12N2	9WPSH122CCVN4S	9WPSH122CCVN2S

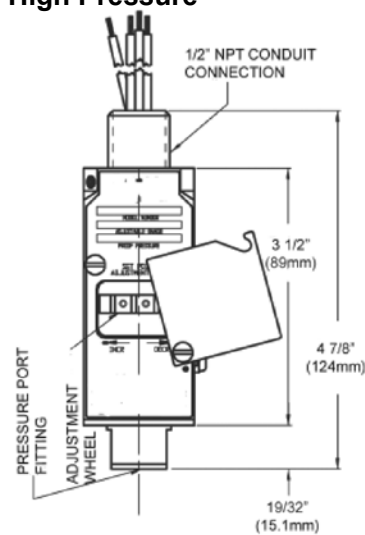
Vacuum



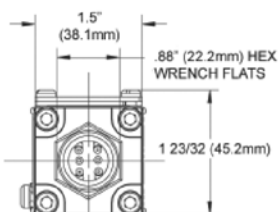
Low Pressure



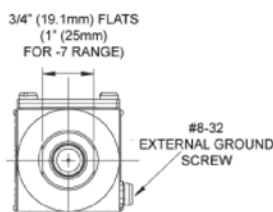
High Pressure



Top View



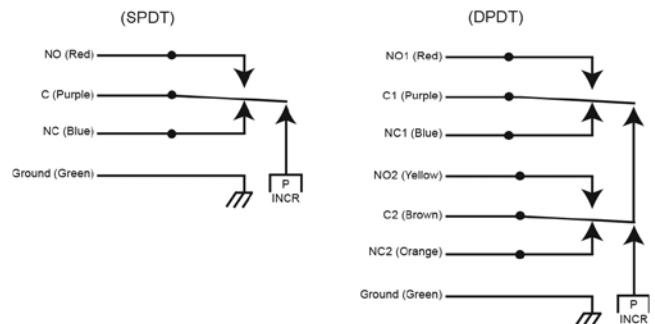
Bottom View



Wiring Code

Lead	Pressure		Vacuum	
	Circuit #1	Circuit #2	Circuit #1	Circuit #2
Normally Open	Red	Yellow	Red	Yellow
Common	Purple	Brown	Purple	Brown
Normally Closed	Blue	Orange	Blue	Orange
Ground	Green		Green	

Wiring Diagram



Series Number (how to order)

SERIES

PRESSURE RANGES PSI (BAR)

Adjustable Range psi (bar)		Deadband (Actuation Value based on closed contact)
Min	Max	

Vacuum Pressure Switch (1"-30" Hg)	1" Hg	30" Hg	4-9" Hg
Low Pressure Switch (2-500 psi)	2 (0.1)	15 (1)	1-3 (0.07-0.2)
	5 (0.3)	150 (10.3)	2-25 (0.1-1.7)
	25 (1.7)	300 (20.6)	7-40 (0.5-2.8)
	50 (3.4)	500 (34.5)	15-60 (1-4.1)
High Pressure Switch (100-10,000 psi)	100 (6.9)	750 (51.7)	50-150 (3.4-10.3)
	150 (10.3)	1,000 (69)	70-200 (4.7-13.8)
	400 (27.6)	3,000 (207)	100-400 (6.7-27.6)
	700 (48.2)	5,000 (345)	140-600 (9.6-41.4)
	1,000 (69)	7,500 (517)	140-800 (9.6-55.2)
	150 (10.3)	3,000 (207)	50-1,000 (3.4-68.9)
	5,000 (344.8)	10,000 (689.7)	200-2,000 (13.8-137.9)

Special Range

SWITCH

SPDT Switch, 11 amps @ 125 / 250 VAC; 5 amps @ 30 VDC (standard)

DPDT Switch, 11 amps @ 125 / 250 VAC; 5 amps @ 30 VDC

SPDT gold contact switch, 1 amp @ 125 VAC

DPDT gold contact switch, 1 amp @ 125 VAC

WETTED PARTS

Viton Diaphragm & O-Rings (standard)

Buna-N Diaphragm & O-Rings

EPR Diaphragm & O-Rings (no UL or CSA)

MECHANICAL CONNECTION

1/4" NPT Female (standard)

1/2" NPT Female

7/16-20 SAE Female

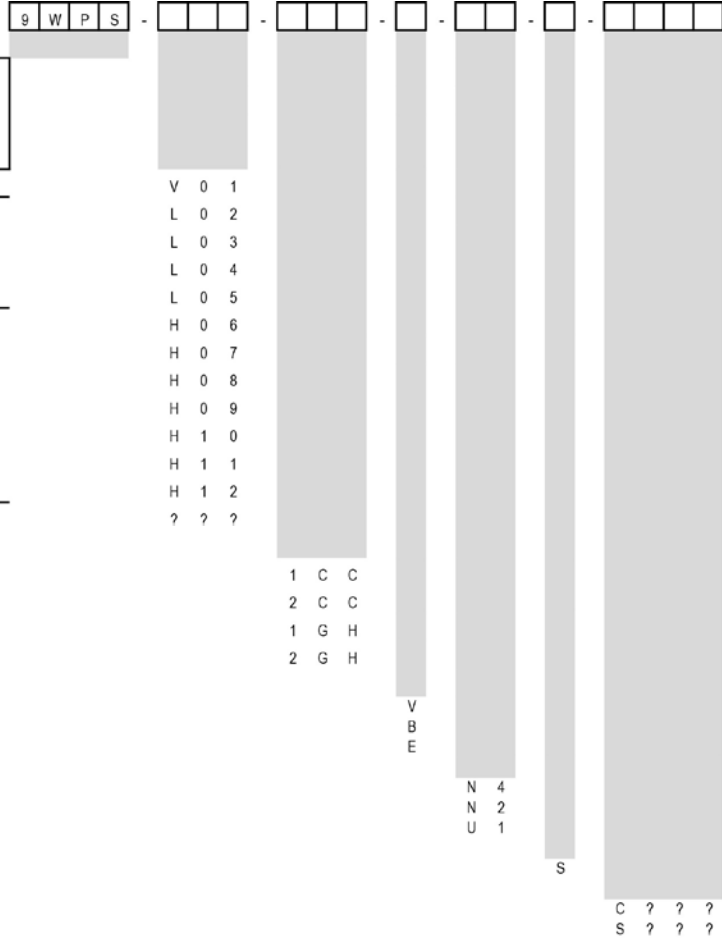
HOUSING

316 Stainless Steel (standard)

OPTIONS

Extra Wire Length (in inches)

Special



Switches