



## DUAL INPUT PUMP CONTROLLER

### MODEL BD306

#### OVERVIEW:

The Model BD306 Dual Input Pump Controller from Blue Ribbon Corporation offers high-reliability monitoring and control when used with the Birdcage<sup>®</sup> submersible level transmitter. Unit features dual input process control with Math Functions, Programmable Display & Function Keys, RS-242, RS-485 and Modbus<sup>®</sup> RTU Serial Communication Protocol, making it suitable for use in a variety of industrial applications.



Models BD306  
Pump Controller



#### FEATURES:

- Dual Input Process Controller with Math Functions
- 0-20 mA, 4-20 mA, 0-5 V, 1-5 V, and  $\pm 10V$  Inputs
- Large Dual-Line 6-Digit Display, 0.60" & 0.46"
- NEMA 4X, IP65 Front
- Universal 85-265 VAC, or 12/24 VDC Input Power
- Programmable Display & Function Keys
- 32-Point, Square Root, or Exponential Linearization
- Multi-Pump Alternation Control
- USB, RS-232, RS-485 and Modbus<sup>®</sup> RTU Serial Communication Protocol
- Free BULLDOG Pro Software for Operation, Monitoring, and Programming
- Standard 1/8 DIN (45mm x 92mm)

#### FIELD OPTIONS:

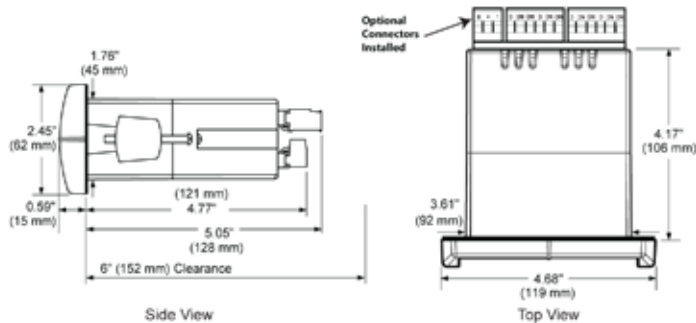
- 4 Relays + Isolated 4-20 mA Output
- External 4-Relay & Digital I/O Expansion Modules
- Sunlight Readable Display Models



# DUAL INPUT PUMP CONTROLLER

## DIMENSIONAL DRAWING

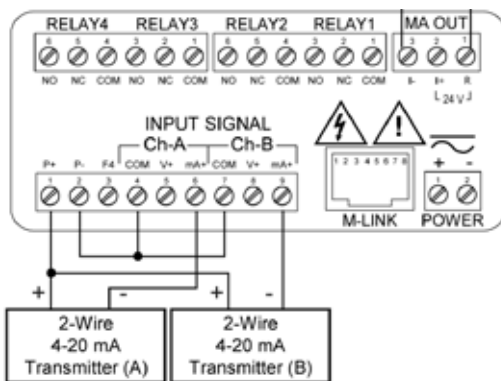
All dimensions are in inches (mm)



### Notes:

1. Panel cutout required: 1.772" x 3.622" (45 mm x 92 mm)
2. Panel thickness: 0.040 - 0.250" (1.0 mm - 6.4 mm)
3. Mounting brackets lock in place for easy mounting
4. Clearance: Allow 6" (152 mm) behind the panel

## CONNECTION DIAGRAM:



## NEMA 4X FIELD ENCLOSURES:

Thermoplastic NEMA 4X enclosures are constructed for indoor or outdoor use.



BD281

## ACCESSORIES:

MODEL	DESCRIPTION
<b>BDDRMK</b>	DIN RAIL MOUNTING KIT FOR TWO EXPANSION MODULES
<b>BDXM</b>	4-RELAY EXPANSION MODULE
<b>BDIO</b>	4 DIGITAL INPUTS & 4 DIGITAL OUTPUTS MODULE
<b>BDCCC</b>	METER COPY CABLE
<b>BDUSBSA</b>	USB SERIAL ADAPTER
<b>BD281</b>	1/8 DIN ENCLOSURE

All specifications are for reference purposes only. In the interests of continuous product improvement, all specifications are subject to change without notice. Please contact Blue Ribbon Corporation for assistance with your application.