



1



Description & Features:

- Heavy duty, highly accurate aluminum case gauge
- $\pm 0.5\%$ accuracy
- Brass or stainless steel internals
- Large, easy-to-read dial
- StabiliZR™ dampened movement available on 4.5" (115mm) dial size
- ASME B40.100 compliant
- CRN registered
- 5 year warranty

Applications:

- Intended for non-clogging installations
- Use on air, steam, oil, fresh water
- Boilers, control rooms and chillers

1. Back Connection with Standard (on all dial sizes) Front Flange

Specifications	Stainless Steel Internals	Brass Internals
Dial	4.5" (115mm), 6" (150mm), 8.5" (215mm) and 10" (250mm) white aluminum with black and red markings	4.5" (115mm), 6" (150mm), 8.5" (215mm) and 10" (250mm) white aluminum with black and red markings
Case	Aluminum painted black	Aluminum painted black
Front Flange	4.5" (115mm), 6" (150mm): SS, polished 8.5" (215mm), 10" (250mm): Aluminum, painted black	4.5" (115mm), 6" (150mm): SS, polished 8.5" (215mm), 10" (250mm): Aluminum, painted black
Back Flange	4.5" (115mm), 6" (150mm): Steel, painted black (optional) 8.5" (215mm), 10" (250mm): Aluminum, painted black	4.5" (115mm), 6" (150mm): Steel, painted black (optional) 8.5" (215mm), 10" (250mm): Aluminum, painted black
Lens	4.5" (115mm), 6" (150mm): Glass 8.5" (200mm), 10" (250mm): Polycarbonate	4.5" (115mm), 6" (150mm): Glass 8.5" (200mm), 10" (250mm): Polycarbonate
Ring	4.5" (115mm), 6" (150mm): SS, polished 8.5" (215mm), 10" (250mm): Aluminum	4.5" (115mm), 6" (150mm): SS, polished 8.5" (215mm), 10" (250mm): Aluminum
Socket	316L SS	Brass
Connection	1/4" NPT for ranges up to 600 psi (4,137 kPa), 1/2" NPT for ranges over 600 psi (4,137 kPa)	1/4" NPT for ranges up to 600 psi (4,137 kPa), 1/2" NPT for ranges over 600 psi (4,137 kPa)
Bourdon Tube	316L SS	Phosphor bronze for ranges up to 600 psi (4,137 kPa) 316L SS for ranges over 600 psi (4,137 kPa)
Movement	304 SS	Brass
Pointer	Aluminum, anodized black, micrometer adjustable	Aluminum, anodized black, micrometer adjustable
Welding	316L SS TIG Argonarc	Tin/copper alloy for ranges up to 600 psi (4,137 kPa) Silver alloy for ranges over 600 psi (4,137 kPa)
Over-pressure Limit	30% for pressures up to 600 psi (4,137 kPa), 25% for pressures 601 psi to 1,400 psi (4,137 kPa to 9,653 kPa), 15% for pressures over 1,400 psi (9,653 kPa)	30% for pressures up to 600 psi (4,137 kPa), 25% for pressures 601 psi to 1,400 psi (4,137 kPa to 9,653 kPa), 15% for pressures over 1,400 psi (9,653 kPa)
Working Pressure	Maximum 75% of full scale value	Maximum 75% of full scale value
Ambient/Process Temperature	-40°F to 150°F (-40°C to 65°C)	-40°F to 150°F (-40°C to 65°C)
Accuracy	$\pm 0.5\%$ ANSI/ASME Grade 2A	$\pm 0.5\%$ ANSI/ASME Grade 2A
Enclosure Rating	IP52	IP52
Warning (brass internals only)	N/A	⚠ WARNING: This product can expose you to chemicals including lead, which is known to the State of California to cause cancer and birth defects or other reproductive harm. For more information go to www.P65Warnings.ca.gov .

Order Codes

	Dial Size	4.5" (115mm)				6" (150mm)			
	Connection	Bottom	Back (LB)	Bottom	Back (LB)	Bottom	Back (LB)	Bottom	Back (LB)
	Movement, Socket, Tube	Brass		SS		Brass		SS	
1/4"	30" Hg Vac/kPa	P3S6000	P3S6000B	P3S6025	P3S6025B	P3S6075	P3S6075B	P3S6260	P3S6260B
	30"/0/15 psi/kPa	P3S6001	P3S6001B	P3S6026	P3S6026B	P3S6076	P3S6076B	P3S6261	P3S6261B
	30"/0/30 psi/kPa	P3S6002	P3S6002B	P3S6027	P3S6027B	P3S6077	P3S6077B	P3S6162	P3S6162B
	30"/0/60 psi/kPa	P3S6003	P3S6003B	P3S6028	P3S6028B	P3S6078	P3S6078B	P3S6163	P3S6163B
	30"/0/100 psi/kPa	P3S6004	P3S6004B	P3S6029	P3S6029B	P3S6079	P3S6079B	P3S6164	P3S6164B
	30"/0/160 psi/kPa	P3S6005	P3S6005B	P3S6030	P3S6030B	P3S6080	P3S6080B	P3S6265	P3S6265B
	30"/0/200 psi/kPa	P3S6006	P3S6006B	P3S6031	P3S6031B	P3S6081	P3S6081B	P3S6266	P3S6266B
	30"/0/300 psi/kPa	P3S6007	P3S6007B	P3S6032	P3S6032B	P3S6082	P3S6082B	P3S6267	P3S6267B
	0/15 psi/kPa	P3S6008	P3S6008B	P3S6033	P3S6033B	P3S6083	P3S6083B	P3S6098	P3S6098B
	0/30 psi/kPa	P3S6009	P3S6009B	P3S6034	P3S6034B	P3S6084	P3S6084B	P3S6099	P3S6099B
	0/60 psi/kPa	P3S6010	P3S6010B	P3S6035	P3S6035B	P3S6085	P3S6085B	P3S6100	P3S6100B
	0/100 psi/kPa	P3S6011	P3S6011B	P3S6036	P3S6036B	P3S6086	P3S6086B	P3S6101	P3S6101B
	0/160 psi/kPa	P3S6012	P3S6012B	P3S6037	P3S6037B	P3S6087	P3S6087B	P3S6102	P3S6102B
	0/200 psi/kPa	P3S6013	P3S6013B	P3S6038	P3S6038B	P3S6088	P3S6088B	P3S6103	P3S6103B
	0/300 psi/kPa	P3S6014	P3S6014B	P3S6039	P3S6039B	P3S6089	P3S6089B	P3S6104	P3S6104B
	0/400 psi/kPa	P3S6015	P3S6015B	P3S6040	P3S6040B	P3S6090	P3S6090B	P3S6105	P3S6105B
0/600 psi/kPa	P3S6016	P3S6016B	P3S6041	P3S6041B	P3S6091	P3S6091B	P3S6106	P3S6106B	
1/2"	0/1,000 psi/kPa	P3S6017	P3S6017B	P3S6042	P3S6042B	P3S6092	P3S6092B	P3S6107	P3S6107B
	0/1,500 psi/kPa	P3S6018	P3S6018B	P3S6043	P3S6043B	P3S6093	P3S6093B	P3S6108	P3S6108B
	0/2,000 psi/kPa	P3S6019	P3S6019B	P3S6044	P3S6044B	P3S6094	P3S6094B	P3S6109	P3S6109B
	0/3,000 psi/kPa	P3S6020	P3S6020B	P3S6045	P3S6045B	P3S6095	P3S6095B	P3S6110	P3S6110B
	0/5,000 psi/kPa	P3S6021	P3S6021B	P3S6046	P3S6046B	P3S6096	P3S6096B	P3S6111	P3S6111B
	0/10,000 psi/kPa	P3S6022	P3S6022B	P3S6047	P3S6047B	P3S6170	P3S6170B	P3S6180	P3S6180B
	0/15,000 psi/kPa	P3S6023	P3S6023B	P3S6160	P3S6160B	P3S6171	P3S6171B	P3S6181	P3S6181B
	0/20,000 psi/kPa	P3S6024	P3S6024B	P3S6161	P3S6161B	P3S6172	P3S6172B	P3S6182	P3S6182B
	Dial Size	8.5" (215mm)				10" (250mm)			
1/4"	30" Hg Vac/kPa	P3S6200	P3S6200B	P3S6300	P3S6300B	P3S6400	P3S6400B	P3S6500	P3S6500B
	30"/0/15 psi/kPa	P3S6201	P3S6201B	P3S6301	P3S6301B	P3S6401	P3S6401B	P3S6501	P3S6501B
	30"/0/30 psi/kPa	P3S6202	P3S6202B	P3S6302	P3S6302B	P3S6402	P3S6402B	P3S6502	P3S6502B
	30"/0/60 psi/kPa	P3S6203	P3S6203B	P3S6303	P3S6303B	P3S6403	P3S6403B	P3S6503	P3S6503B
	30"/0/100 psi/kPa	P3S6204	P3S6204B	P3S6304	P3S6304B	P3S6404	P3S6404B	P3S6504	P3S6504B
	30"/0/160 psi/kPa	P3S6205	P3S6205B	P3S6305	P3S6305B	P3S6405	P3S6405B	P3S6505	P3S6505B
	30"/0/200 psi/kPa	P3S6206	P3S6206B	P3S6306	P3S6306B	P3S6406	P3S6406B	P3S6506	P3S6506B
	30"/0/300 psi/kPa	P3S6207	P3S6207B	P3S6307	P3S6307B	P3S6407	P3S6407B	P3S6507	P3S6507B
	0/15 psi/kPa	P3S6208	P3S6208B	P3S6308	P3S6308B	P3S6408	P3S6408B	P3S6508	P3S6508B
	0/30 psi/kPa	P3S6209	P3S6209B	P3S6309	P3S6309B	P3S6409	P3S6409B	P3S6509	P3S6509B
	0/60 psi/kPa	P3S6210	P3S6210B	P3S6310	P3S6310B	P3S6410	P3S6410B	P3S6510	P3S6510B
	0/100 psi/kPa	P3S6211	P3S6211B	P3S6311	P3S6311B	P3S6411	P3S6411B	P3S6511	P3S6511B
	0/160 psi/kPa	P3S6212	P3S6212B	P3S6312	P3S6312B	P3S6412	P3S6412B	P3S6512	P3S6512B
	0/200 psi/kPa	P3S6213	P3S6213B	P3S6313	P3S6313B	P3S6413	P3S6413B	P3S6513	P3S6513B
	0/300 psi/kPa	P3S6214	P3S6214B	P3S6314	P3S6314B	P3S6414	P3S6414B	P3S6514	P3S6514B
	0/400 psi/kPa	P3S6215	P3S6215B	P3S6315	P3S6315B	P3S6415	P3S6415B	P3S6515	P3S6515B
0/600 psi/kPa	P3S6216	P3S6216B	P3S6316	P3S6316B	P3S6416	P3S6416B	P3S6516	P3S6516B	
1/2"	0/1,000 psi/kPa	P3S6217	P3S6217B	P3S6317	P3S6317B	P3S6417	P3S6417B	P3S6517	P3S6517B
	0/1,500 psi/kPa	P3S6218	P3S6218B	P3S6318	P3S6318B	P3S6418	P3S6418B	P3S6518	P3S6518B
	0/2,000 psi/kPa	P3S6219	P3S6219B	P3S6319	P3S6319B	P3S6419	P3S6419B	P3S6519	P3S6519B
	0/3,000 psi/kPa	P3S6220	P3S6220B	P3S6320	P3S6320B	P3S6420	P3S6420B	P3S6520	P3S6520B
	0/5,000 psi/kPa	P3S6221	P3S6221B	P3S6321	P3S6321B	P3S6421	P3S6421B	P3S6521	P3S6521B
	0/10,000 psi/kPa	P3S6222	P3S6222B	P3S6322	P3S6322B	P3S6422	P3S6422B	P3S6522	P3S6522B
	0/15,000 psi/kPa	P3S6223	P3S6223B	P3S6323	P3S6323B	P3S6423	P3S6423B	P3S6523	P3S6523B
	0/20,000 psi/kPa	P3S6224	P3S6224B	P3S6324	P3S6324B	P3S6424	P3S6424B	P3S6524	P3S6524B

Other ranges and connection sizes available upon request. For scale change, refer to How to Order Guide for scale codes.

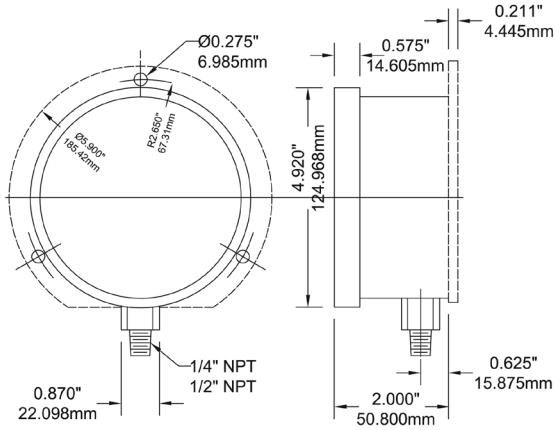
Option suffix:

45BF-300 = 4.5" (115mm) Back flange
 45HC = 4.5" (115mm) Hinged case
 6BF-300 = 6" (150mm) Back flange
 6HC = 6" (150mm) Hinged case
 MAXI45 = 4.5" (115mm) Maxi pointer

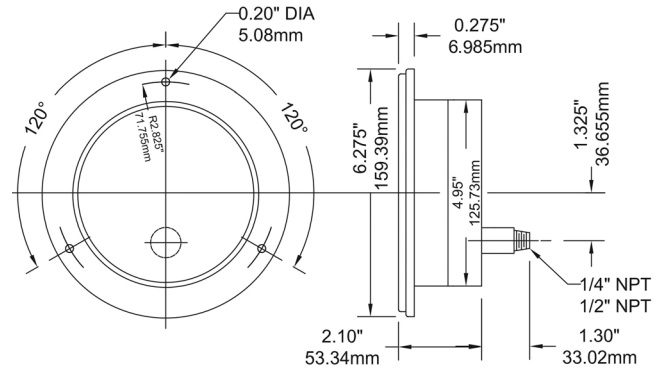
MAXI6 = 6" (150mm) Maxi pointer
 MS = Monel
 OST = Overstop
 SFC = Safety case
 SG-45 = 4.5" (115mm) Safety glass

SG-6 = 6" (150mm) Safety glass
 UST = Understop
 ZR = StabilIZR™ movement (4.5" dial only)

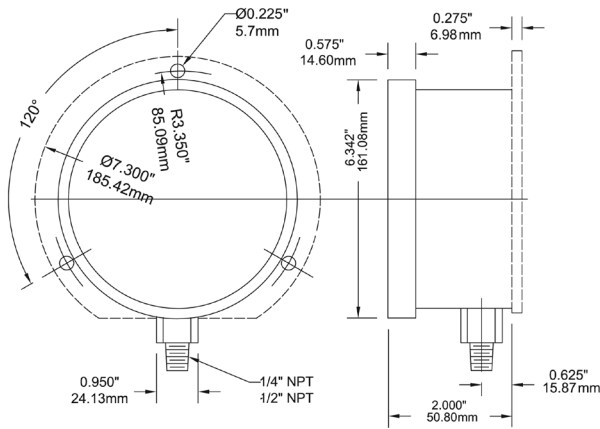
4.5" Bottom Connection with Back Flange



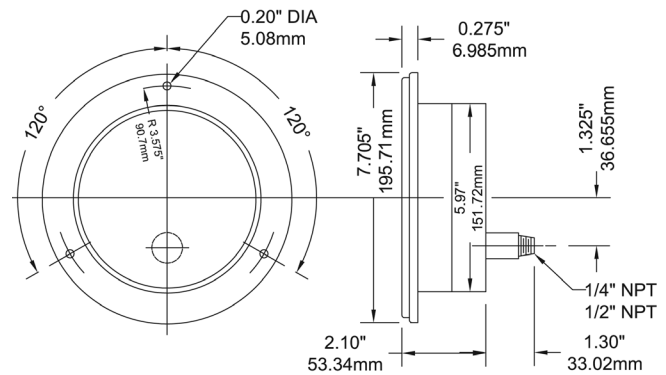
4.5" Back Connection with Front Flange



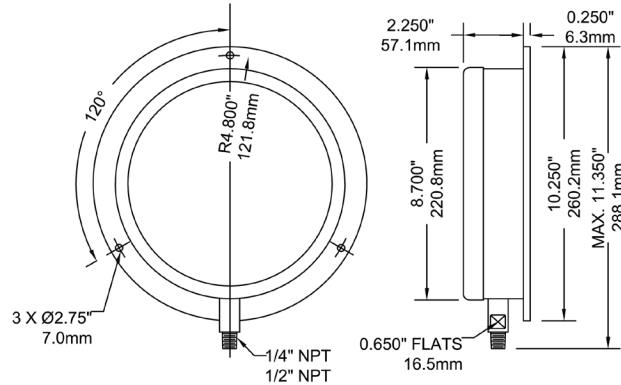
6" Bottom Connection with Back Flange



6" Back Connection with Front Flange



8.5" Bottom Connection with Back Flange



10" Back Connection with Front Flange

